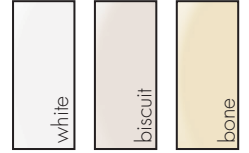


AcrylX™ APPLIED ACRYLIC shower bases



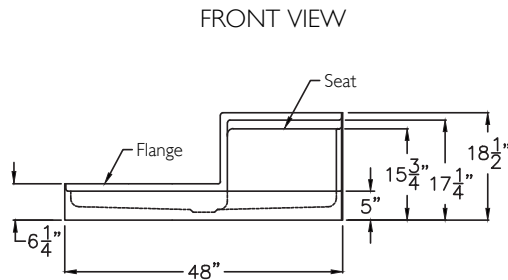
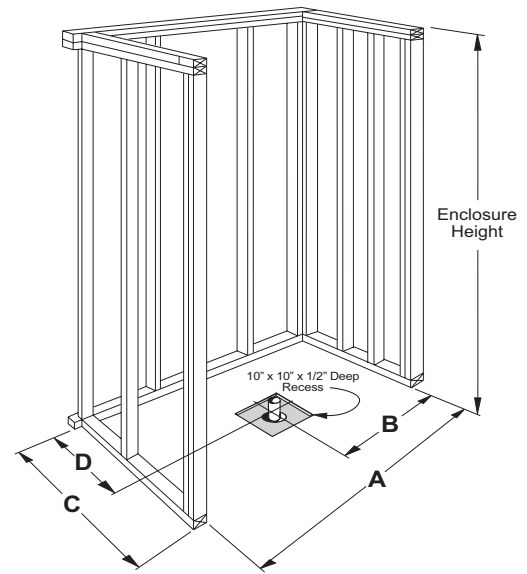
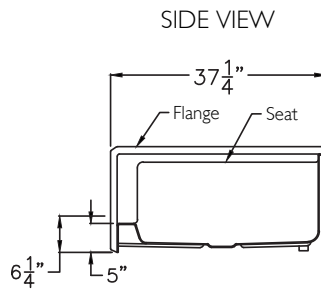
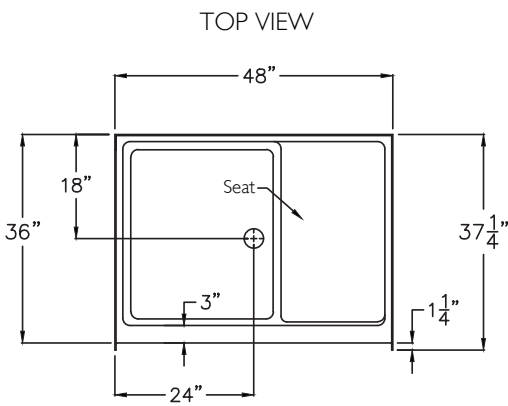
G 4836 SH IS PAN 48" x 36" x 19"

AcrylX™ shower base with one seat and 5" EasyStep™ threshold.

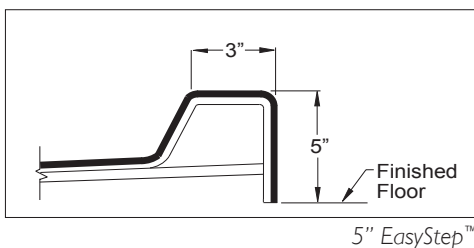
HANDED left or right seat

WEIGHT 84

CODES IPC, UPC, ANSI Z 124.2



CENTER DRAIN	A	B	C	D
G 4836 SH IS PAN	48 1/4"	24 1/8"	37 1/4"	18"



upgrade to SOLID SURFACE

Solid Surface is available as an upgrade to standard AcrylX™ and has a 10 year warranty.

