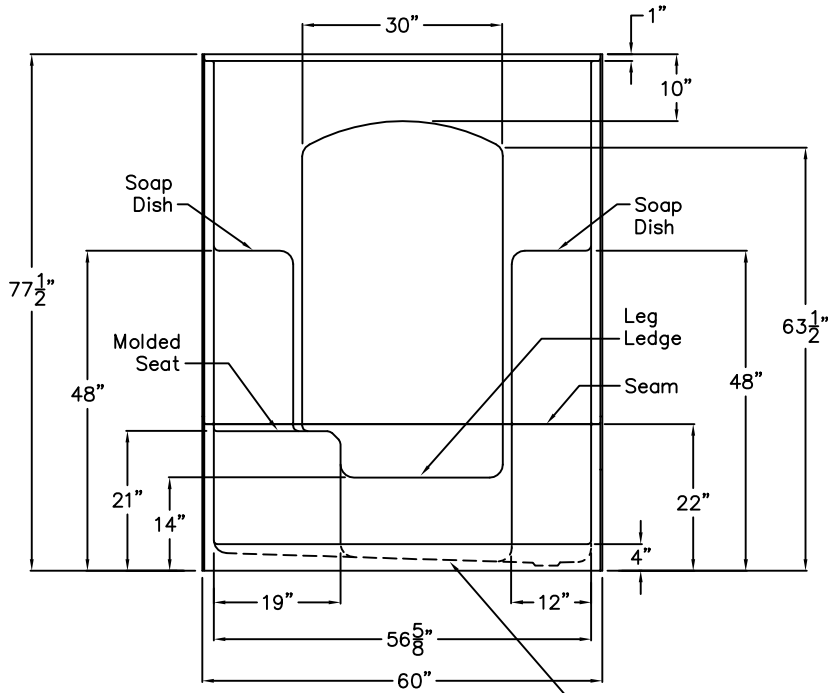


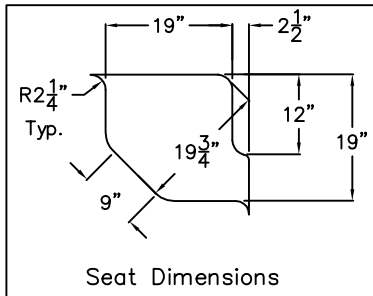
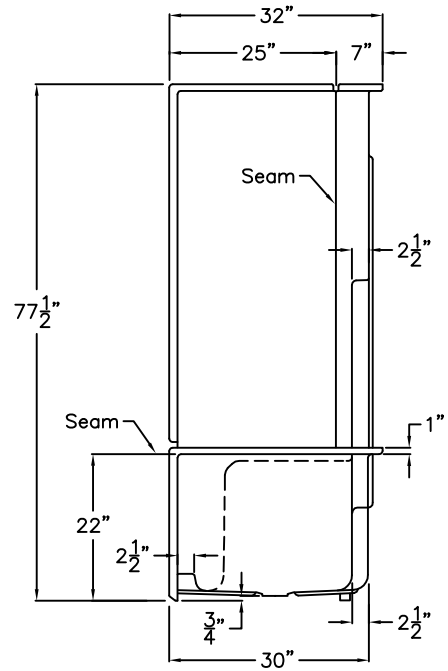
Luxury Acrylic Series

SUBMITTAL DATA

FRONT VIEW

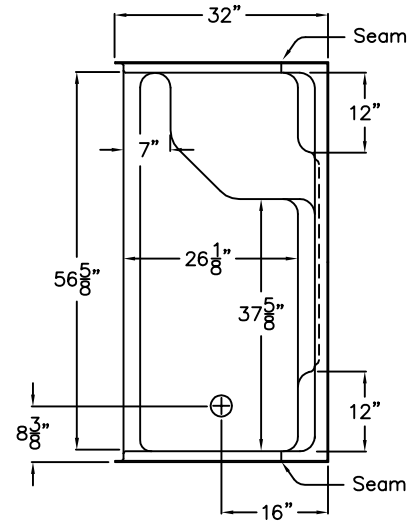


SIDE VIEW



Floor Slope: 3/8"
Per Foot Typical

TOP VIEW



Sectional Shower

This shower enclosure shall be Hamilton Model G 3260 SH 4P 1S right, or left. Finished surface shall be of sanitary-grade applied acrylic. The unit shall have outside dimensions of 60" x 32" x 77 1/2". The unit shall meet IAPMO Z124-2011, and CSA B45.5-11.

The enclosure shall be equipped with the following factory installed accessories:
1) Molded corner soap towers, 2) Inset feature in the back wall, 3) Large molded leg ledge, 4) Four piece sectional design, 5) 4.0" threshold.

DUE TO THE NATURE OF THE MATERIALS
DIMENSIONS MAY VARY ± 1/2"

Job Name:	HAMILTON	
Approved by Print Name:	Drawing#: G 3260 SH 4P 1S 4.0	
Approved by Signature:	Date:	Date: 4-27-07. Revised: 11-17-16
Rep.:	Wholesaler:	Quote No.:

PRAXIS INDUSTRIES, LLC.
435 INDUSTRIAL RD - SAVANNAH, TN 38372
1 (800) 443-7269 - FAX (731) 925-4290