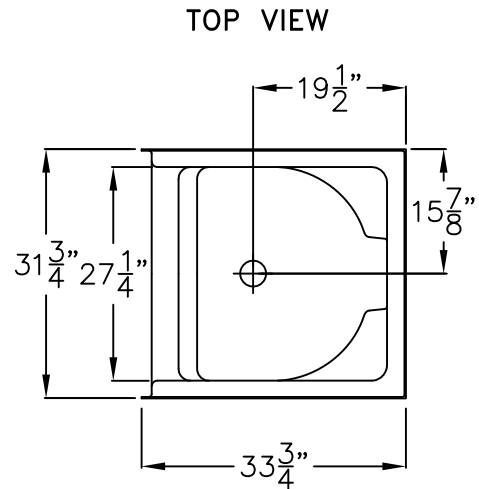
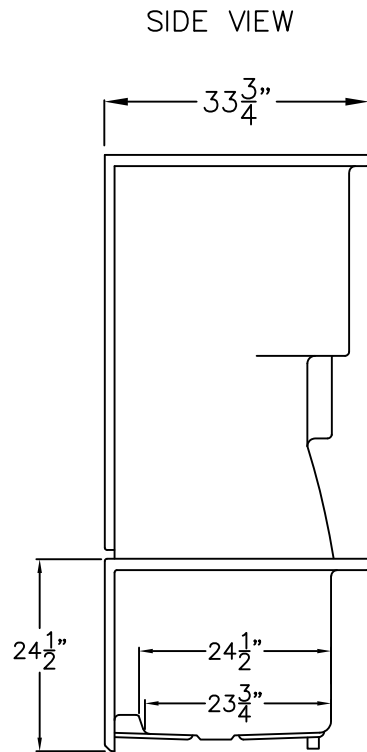
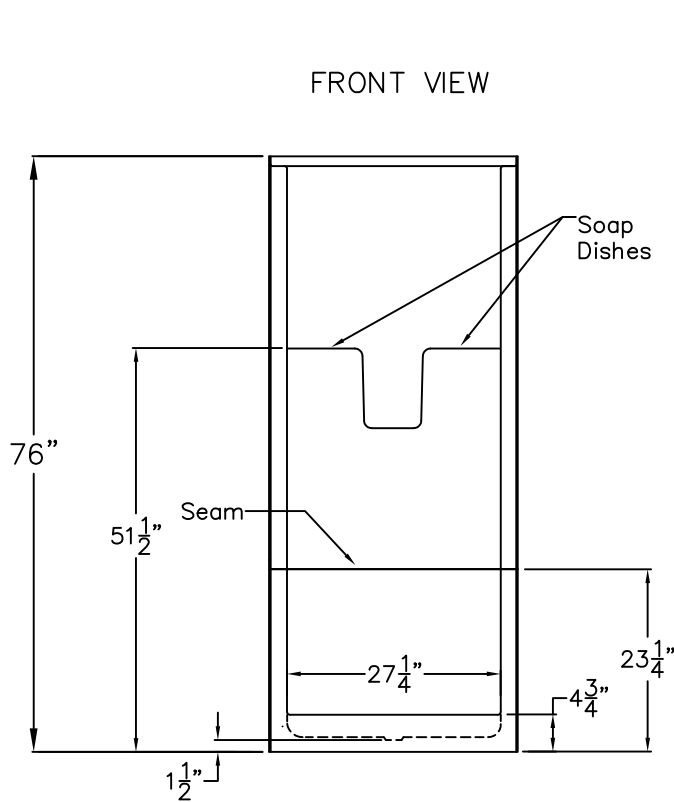


Luxury Acrylic Series

SUBMITTAL DATA



Sectional Shower

This shower enclosure shall be Hamilton Model G 3275 SH 2P right, or left. Finished surface shall be of sanitary-grade applied acrylic. The unit shall have outside dimensions of 31 3/4" x 33 3/4" x 76". The unit shall meet IAPMO Z124-2011, and CSA B45.5-11.

The enclosure shall be equipped with the following factory installed accessories:

- 1) Two molded soap dishes,
- 2) Two piece sectional design.
- 3) 4 3/4" threshold.

NOTE: DUE TO THE COMPACT SIZE THIS UNIT DOES NOT MEET UPC AND IPC CODES.

DUE TO THE NATURE OF THE MATERIALS DIMENSIONS MAY VARY ± 1/2"

Job Name:	HAMILTON	
Approved By Print Name:	Drawing#: G 3275 SH 2P	
Approved By Signature:	Date:	Date: 2-9-07 Revised: 11-17-16
Rep.:	Wholesaler:	Quote No.:

PRAXIS INDUSTRIES, LLC.
 435 INDUSTRIAL ROAD, SAVANNAH, TN 38372
 1 (800) 326-5489 - FAX (888) 246-0466