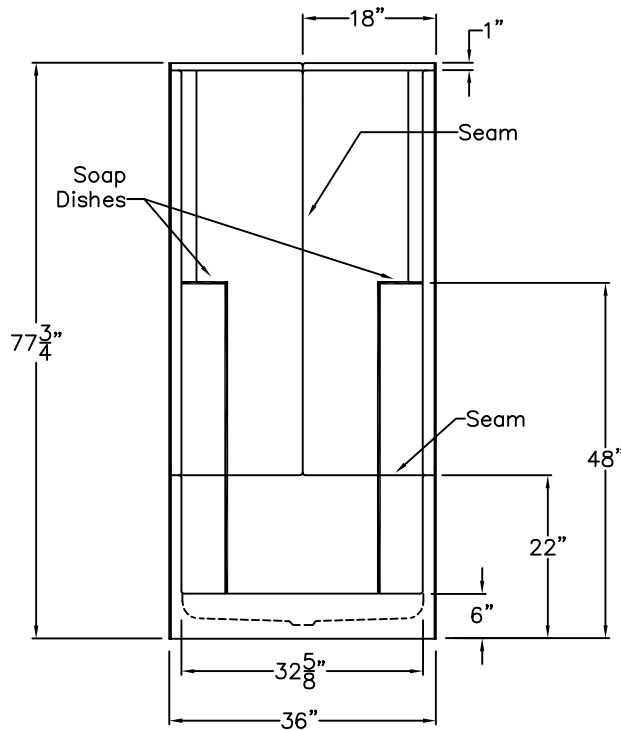


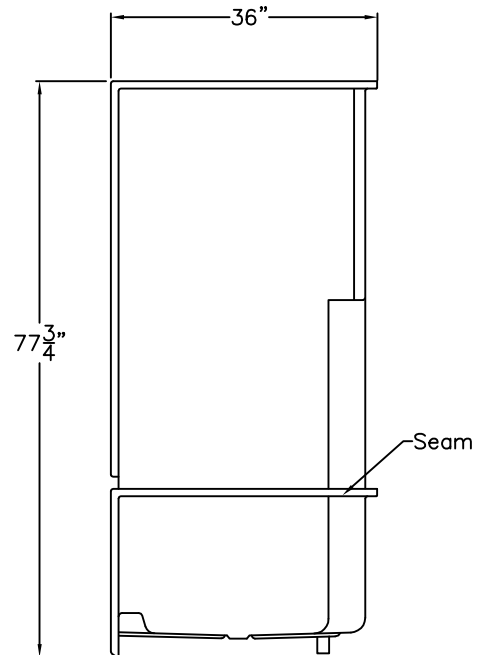
Luxury Acrylic Series

SUBMITTAL DATA

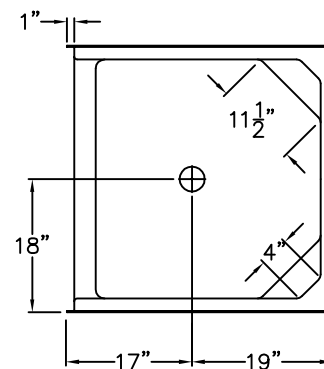
FRONT VIEW



SIDE VIEW



TOP VIEW



Sectional Shower

This shower enclosure shall be Hamilton Model G 3679 SH 3P center drain. Finished surface shall be of sanitary-grade applied acrylic. The unit shall have outside dimensions of 36" x 36" x 77 3/4". The unit shall meet IAPMO Z124-2011, and CSA B45.5-11.

The enclosure shall be equipped with the following factory installed accessories:

- 1) Molded corner soap dishes,
- 2) 6.0" thresholds.

DUE TO THE NATURE OF THE MATERIALS
DIMENSIONS MAY VARY ± 1/2"

Job Name:

HAMLTON

Approved by Print Name:

Drawing#: G 3679 SH 3P

Approved by Signature:

Date:

Date: 11-1-00

Revised: 11-21-16

Rep.:

Wholesaler:

Quote No.:

PRAXIS INDUSTRIES, LLC.
435 INDUSTRIAL RD - SAVANNAH, TN 38372
1 (800) 443-7269 - FAX (731) 925-4290