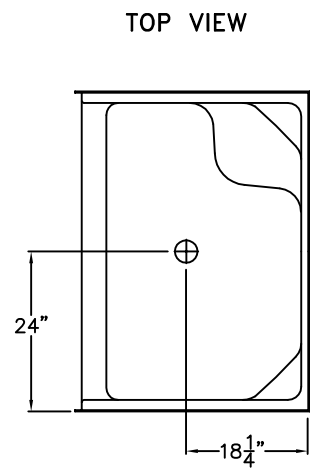
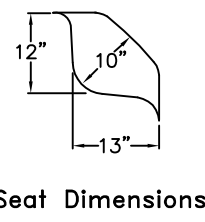
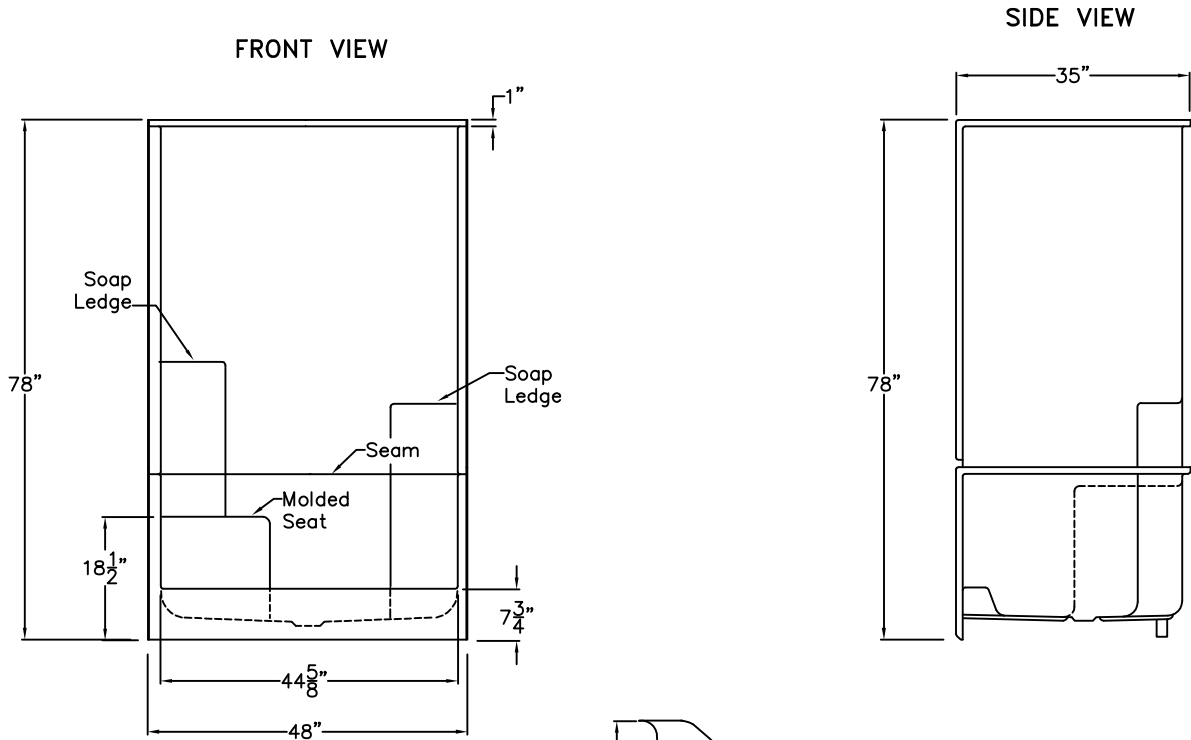


Luxury Acrylic Series

SUBMITTAL DATA



Sectional Shower

This shower enclosure shall be Hamilton Model G 4887 SH 2P 1S right or left. Finished surface shall be of sanitary-grade applied acrylic. The unit shall have outside dimensions of 48" x 35" x 78". The unit shall meet IAPMO Z124-2011, and CSA B45.5-11.

The enclosure shall be equipped with the following factory installed accessories:

- 1) Molded corner soap ledges,
- 2) Molded seat,
- 3) Two piece sectional design,
- 4) 7 3/4" threshold.

DUE TO THE NATURE OF THE MATERIALS DIMENSIONS MAY VARY ± 1/2"

Job Name:		HAMILTON	
Approved by Print Name:		Drawing#: G 4887 SH 2P 1S	
Approved by Signature:	Date:	Date: 5-24-07	Revised: 11-23-16
Rep.:	Wholesaler:	Quote No.:	

PRAXIS INDUSTRIES, INC.
 435 INDUSTRIAL ROAD - SAVANNAH, TN 38372
 1 (800) 443-7269 - FAX (901) 925-4290