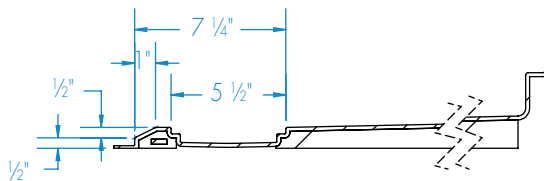
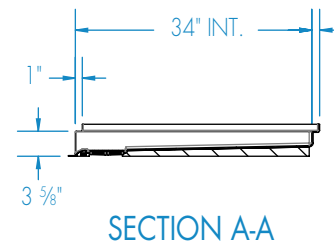
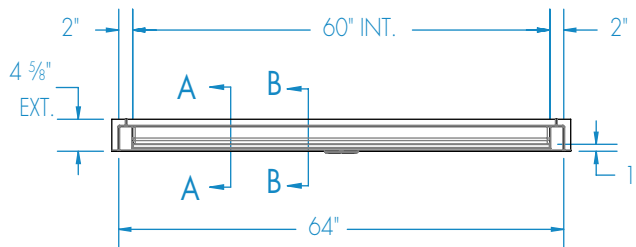
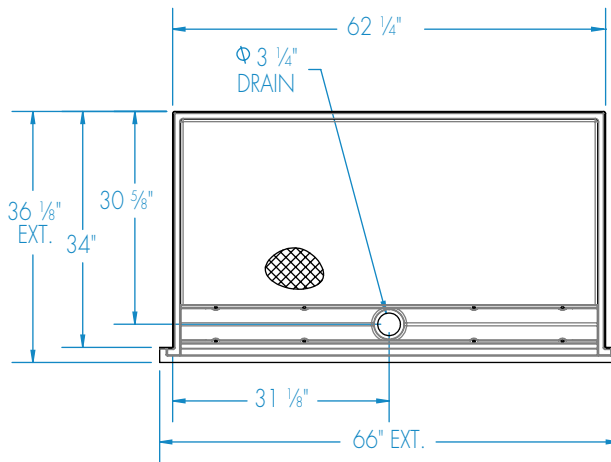


XSB6236TR COL

Interior: 60 x 34 x 2 5/8
Exterior: 66 x 36 1/8 x 4 5/8
inches



ADA/ANSI compliant when fully equipped and installed according to guidelines.



SECTION B-B
Integral Pre-leveled Base
trench grate (included, not shown)

FEATURES lbs Dimensional Tolerance $\pm 3/8"$. Dimensions needed for site preparation should be measured from the unit. Manufacturer assumes no responsibility for preparatory work.

Type and Model #	Material	Wall Finish	Pieces	Drain	Dam/Skirt Height	Net Wt.	Pkg. Wt.
Shower XSB6236TR COL	Gelcoat	Smooth	1	Center Front	1/2" skirt 1/2" exterior COL threshold	40	50

DIMENSIONS

Specifications	inches (mm)
Width: Ext. / Int.	66 / 60
Depth: Ext. / Int.	36 1/8 / 34
Height: Ext. / Int.	4 5/8 / 2 5/8
Enclosure Opening:	60
Skirt Height:	1/2
Drain Rough-In (from Back Wall)	30 5/8
Drain Rough-In (from Side Wall)	31 1/8

FRAMING DIMENSIONS inches (mm)

Type	D Depth	W Width	H Height	A	B	C
Alcove	34	62 1/4	-	Box Out	31 1/8	30 5/8

