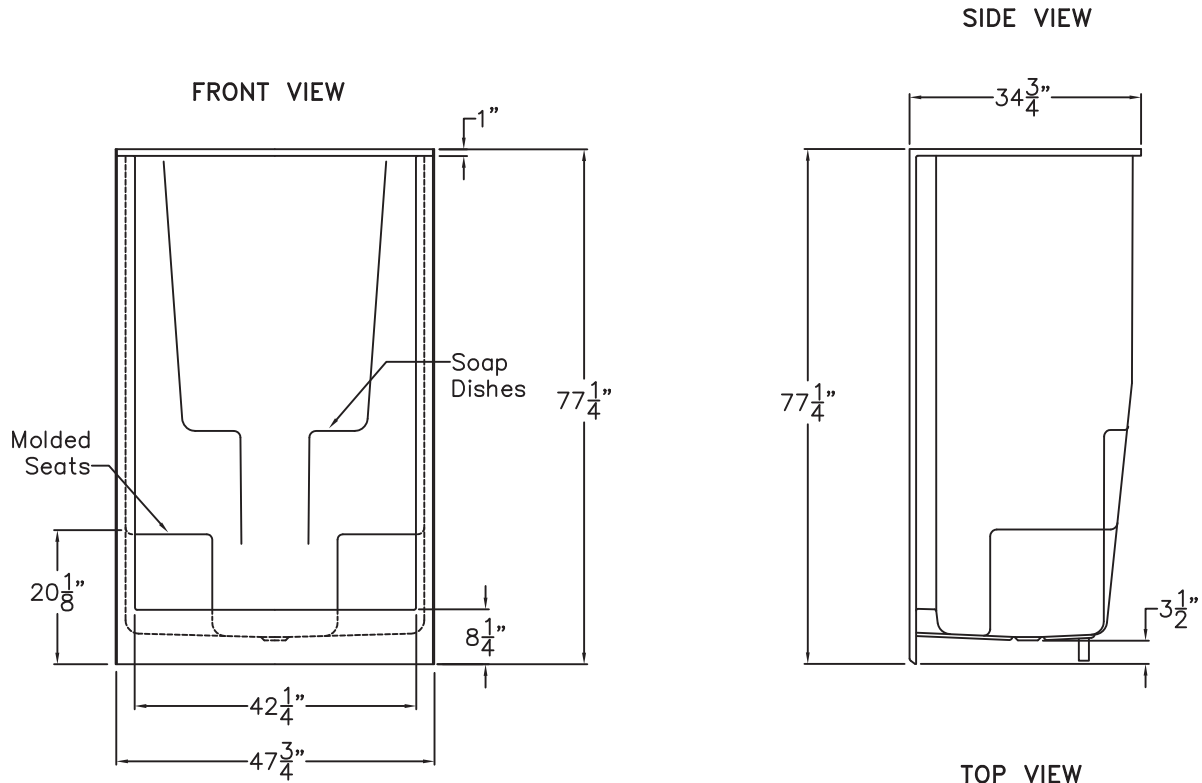


LUXURY ACRYLIC SERIES

SUBMITTAL DATA



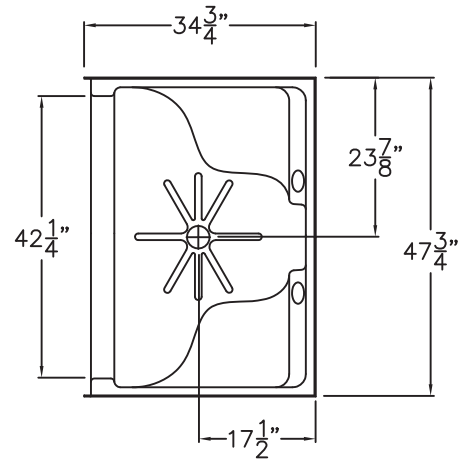
Smooth Wall Acrylic Shower

The tub shower enclosure shall be Praxis model S641 center drain. Finished surface shall be sanitary grade applied acrylic. The unit shall have outside dimensions of 47 3/4" x 34 3/4" x 77 1/4".

The unit shall meet IAPMOZ124-2011, and CSA B45.5-11.

The unit shall be equipped with the following factory installed accessories:

- 1) Molded seats,
- 2) Molded soap dishes,
- 3) Center drain location,
- 4) Above floor rough-in,
- 5) 8 1/4" Threshold.



DUE TO THE NATURE OF THE MATERIALS
DIMENSIONS MAY VARY ± 1/2"

Model:

PRAXIS

Approved by Print Name:

Drawing#: S641

Approved by Signature:

Date Approved:

Date: 7-18-96

Revised: 11-10-16

Rep.:

Wholesaler:

Quote No.:

PRAXIS INDUSTRIES, INC.
435 INDUSTRIAL RD - SAVANNAH, TN 38372
1 (800) 443-7269 - FAX (901) 925-4290