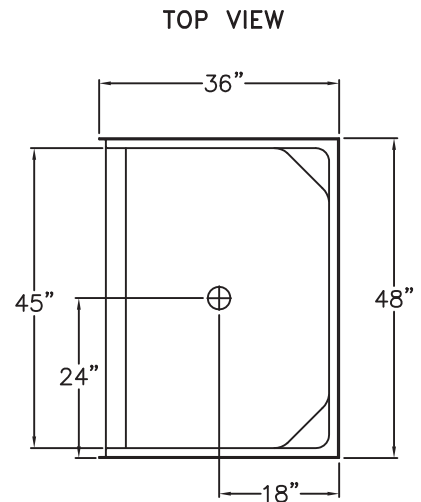
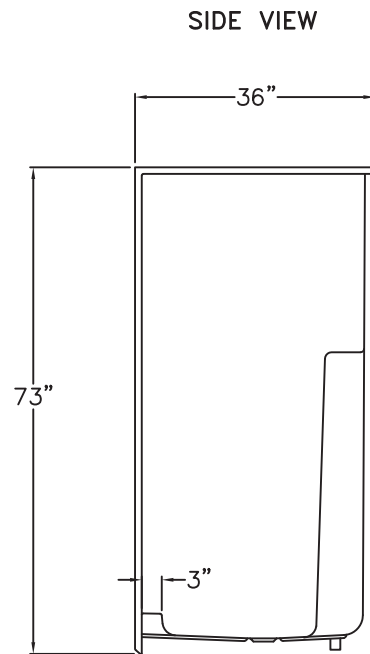
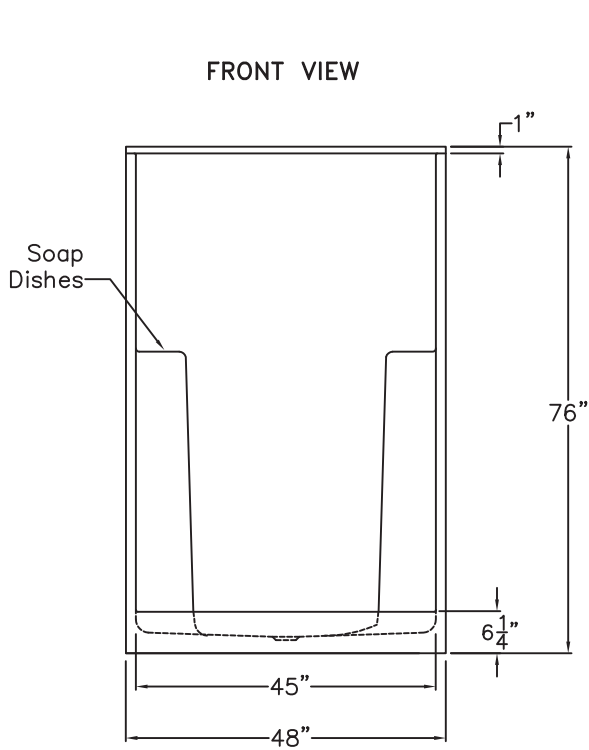


LUXURY ACRYLIC SERIES

SUBMITTAL DATA



Smooth Wall Acrylic Shower

The tub shower enclosure shall be Praxis model S640 center drain. Finished surface shall be sanitary grade applied acrylic. The unit shall have outside dimensions of 48" x 36" x 73".

The unit shall meet IAPMOZ124-2011, and CSA B45.5-11.

The unit shall be equipped with the following factory installed accessories:

- 1) Molded soap dishes,
- 2) Center drain location,
- 3) 6 1/4" Threshold.

DUE TO THE NATURE OF THE MATERIALS
DIMENSIONS MAY VARY ± 1/2"

Model:	PRAXIS
Approved by Print Name:	Drawing#: S640
Approved by Signature:	Date Approved: Date: 7-18-96 Revised: 11-10-16
Rep.:	Wholesaler: Quote No.:

PRAXIS INDUSTRIES, INC.
435 INDUSTRIAL RD - SAVANNAH, TN 38372
1 (800) 443-7269 - FAX (901) 925-4290