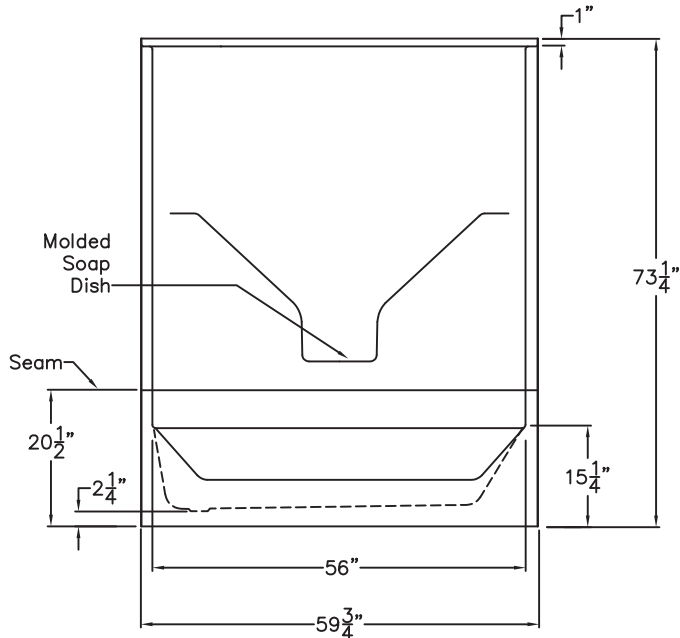


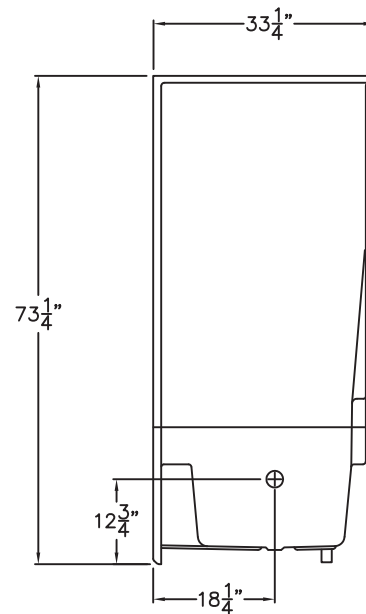
# LUXURY ACRYLIC SERIES

## SUBMITTAL DATA

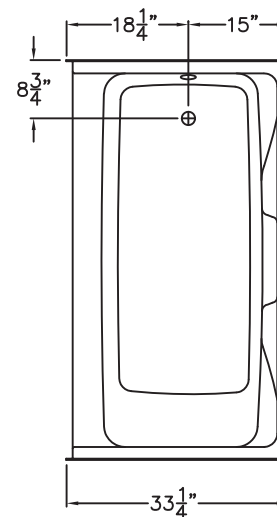
FRONT VIEW



SIDE VIEW



TOP VIEW



### Sectional Acrylic Tub Shower

The tub shower enclosure shall be Praxis model KDS 421 2P left drain. Finished surface shall be sanitary grade applied acrylic. The unit shall have outside dimensions of 59 3/4" x 33 1/4" x 73 1/4".

The unit shall meet IAPMOZ124-2011, and CSA B45.5-11.

The unit shall be equipped with the following factory installed accessories:

- 1) Molded soap dishes,
- 2) Left drain location,
- 3) Two piece sectional design,
- 4) 15 1/4" apron.

Optional acrylic towel bar is available.

DUE TO THE NATURE OF THE MATERIALS INVOLVED, UNIT DIMENSIONS MAY VARY ± 1/2 INCH.

Job Name:		<b>PRAXIS</b>	
Approved By Print Name:		Drawing#: KDTS 421 LH 2P Tub Shower	
Approved By Signature:	Date Approved:	Date: 7-17-96	Revised: 11-10-16
Rep.:	Wholesaler:	Quote No.:	

PRAXIS INDUSTRIES, LLC.  
 435 INDUSTRIAL RD - SAVANNAH, TN 38372  
 1 (800) 443-7269 - FAX (731) 925-4290