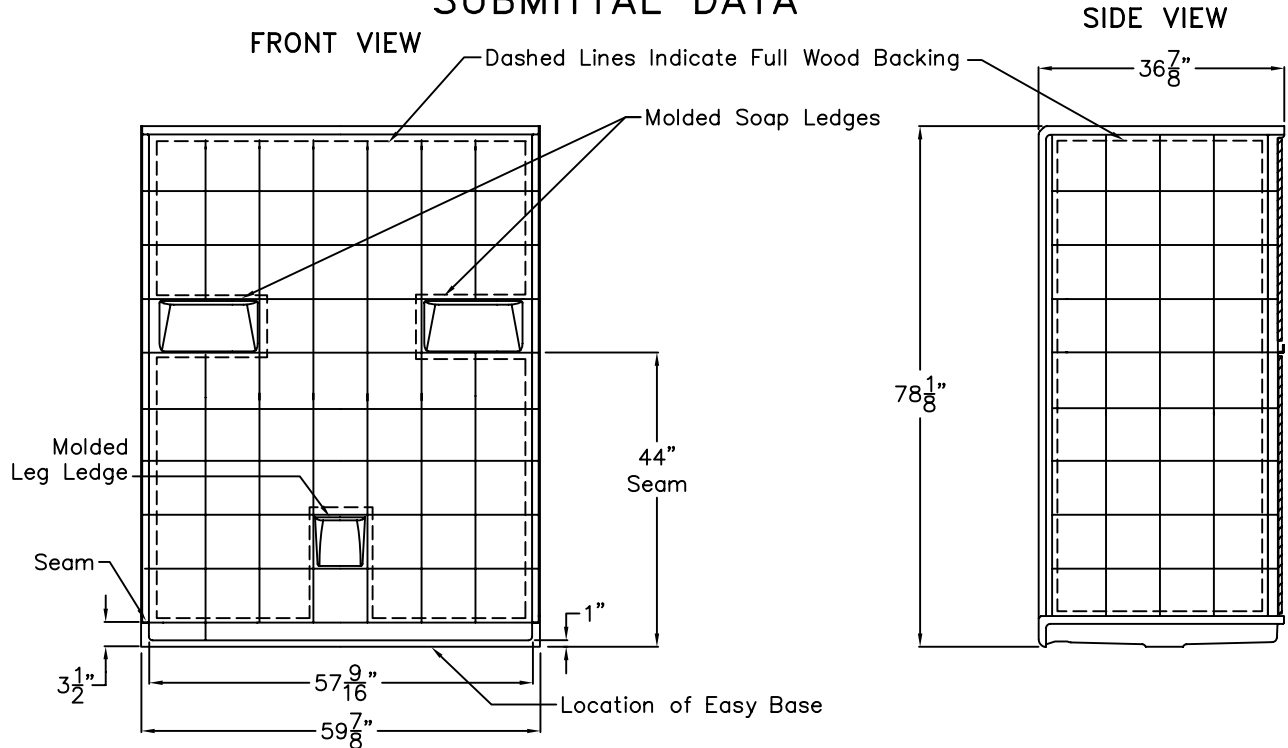


Comfort Series

SUBMITTAL DATA

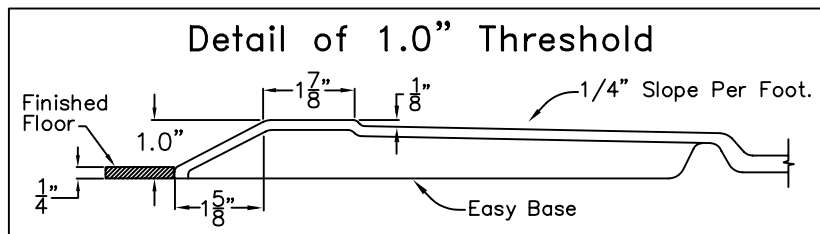


Sectional Shower Stall

The shower enclosure shall be MP6036 BF 5P 1.0 left-right drain. Finished surface shall be of a sanitary-grade polyester gelcoat, exhibiting a minimal thickness of 15 dry mils, and a finished cured Barcoal hardness of 80-90 as tested with ASTM D-2583. Unit construction shall be of molded reinforced fiberglass with a minimum fiberglass content. The unit shall have outside dimensions of 59 7/8" x 36 7/8" x 78 1/8". The five piece unit shall meet ANSI Z124.1-2, NAHB, UPC, complies with CSA, and shall meet the requirements of the Southern Building Code.

The enclosure shall be equipped with the following installed accessories:

- 1) 1/2" thick oriented strand board full wood backing on all walls,
- 2) Two molded soap ledges,
- 3) One lower molded leg ledge,
- 4) Tile finish,
- 5) Five piece design,
- 6) Factory installed Easy Base self sustaining bottom,
- 7) Left or Right drain location,
- 8) 1.0" Threshold.



DUE TO THE NATURE OF THE MATERIALS INVOLVED
UNIT DIMENSIONS MAY VARY ± 1/2 INCH

Model No.:		Drawing#: MP6036 BF 5P 1.0 FWB Left or Right Drain Easy Base	
Approved by:	Date Approved:	Date: 3-31-09	Revised: 4-13-12
Rep.:	Wholesaler:	Quote No.	

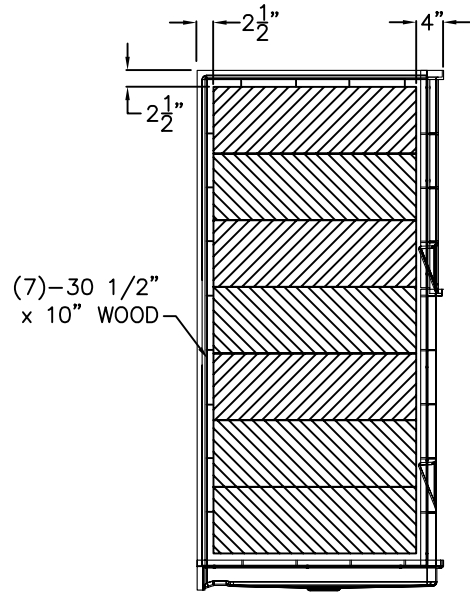
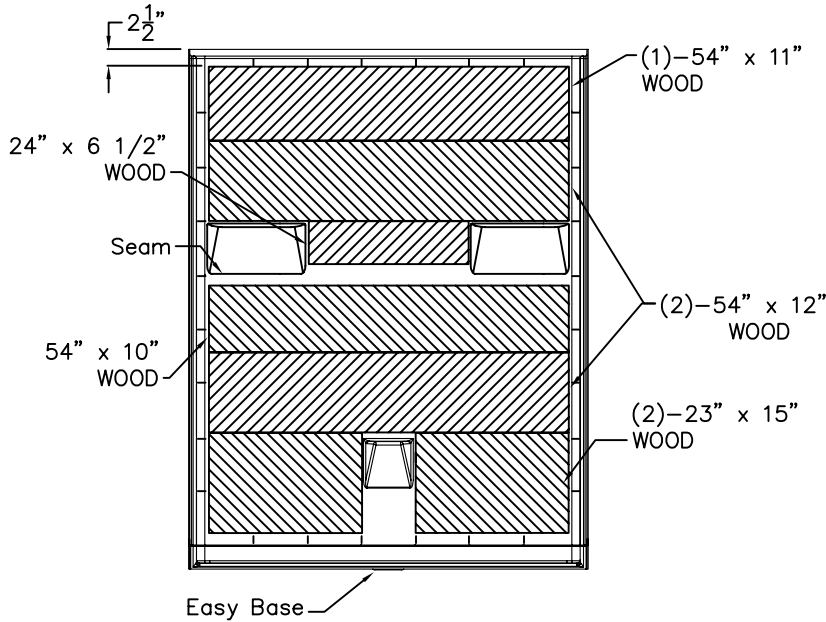
PRAXIS INDUSTRIES, INC.
ROUTE 1, BOX 46D - SAVANNAH, TN 38372
1 (800) 443-7269 - FAX (901) 925-4290

Board Placement Drawing

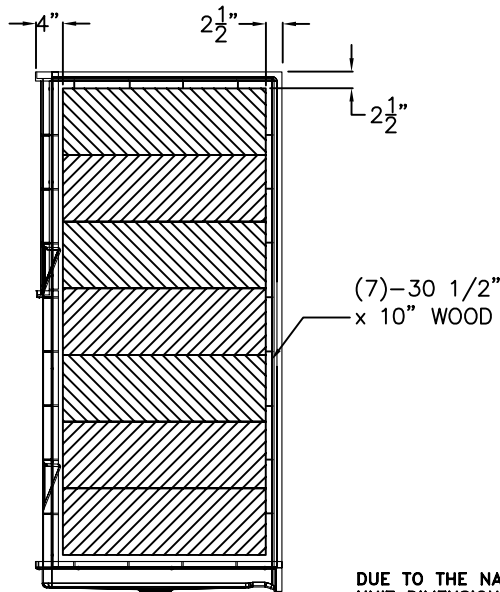
SUBMITTAL DATA

FRONT VIEW

SIDE VIEW



SIDE VIEW



DUE TO THE NATURE OF THE MATERIALS INVOLVED
UNIT DIMENSIONS MAY VARY ± 1/2 INCH

Job Name:	AQUARIUS
Model No.:	Drawing#: MP6036 BF 5P 1.0 FWB Left or Right Drain Easy Base-BP
Approved by:	Date Approved:
Rep.:	Wholesaler:
	Date: 3-31-09 Revised: 3-8-12
	Quote No.:

PRAXIS INDUSTRIES, INC.
ROUTE 1, BOX 46D - SAVANNAH, TN 38372
1 (800) 443-7269 - FAX (901) 925-4290