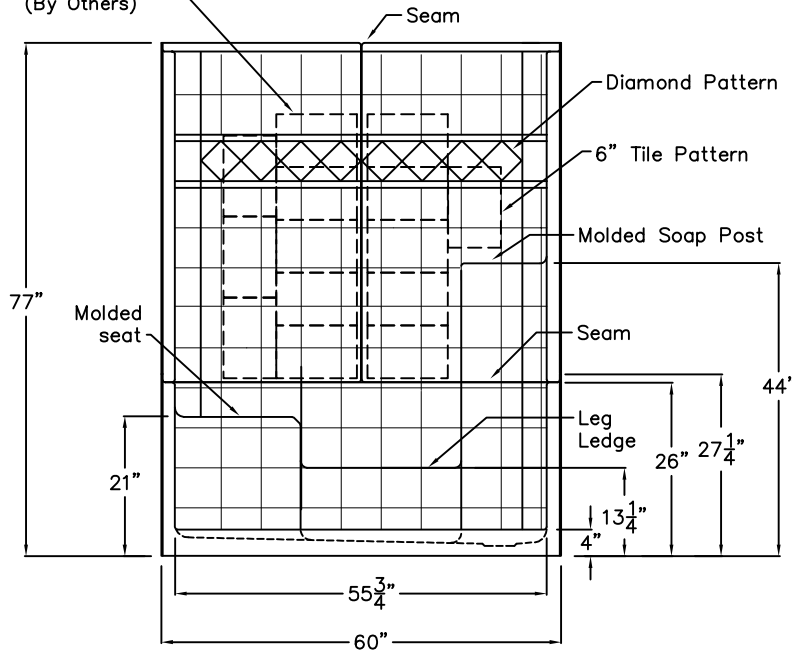


Luxury Acrylic Series

SUBMITTAL DATA

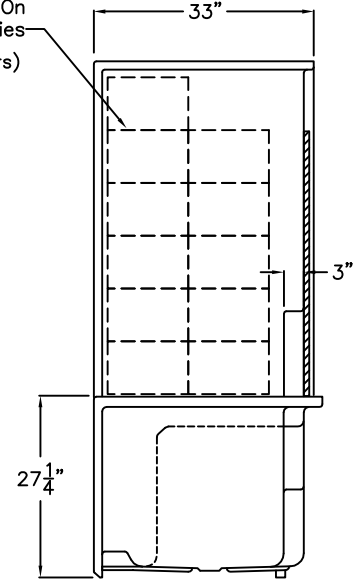
Dashed Lines
Indicates Wood
Backing For
Future Bolt On
Accessories
(By Others)

FRONT VIEW

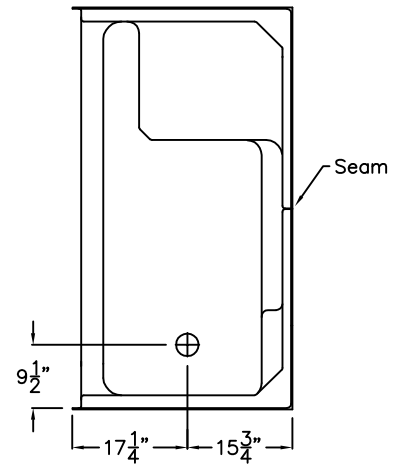


Dashed Lines
Indicates Wood
Backing For
Future Bolt On
Accessories
(By Others)

SIDE VIEW



TOP VIEW



Sectional Shower Stall

The shower enclosure shall be Hamilton Model QSI 6032 SH 1S 4.0" right or left drain. Finished surface shall be of an applied acrylic. The base shall be attached to the sump of the unit in such a manner to form an integral part with an inner and outer coating of polyester resin. The unit shall have outside dimensions of 60" x 33" x 77". The unit meets ANSI Z124.1.2, UPC, CSA B45.5, HUD-UM73, and Home Innovation Research Lab.

This enclosure shall be equipped with the following installed accessories:

- 1) Three piece sectional design
- 2) Molded seat, left or right,
- 3) Left or right drain location,
- 4) Molded soap ledge,
- 5) Molded leg ledge,
- 6) Full wood backing on walls,
- 7) 4.0" Threshold.

Available Options: 8) Grab bar package, 9) Valve package includes: Hand held shower set, swivel connector, 60" flex hose, vacuum breaker, 30" slide bar, wall water outlet fitting, 10) Green anti-bacterial shower curtain and hooks, 11) White shower curtain and hooks. 12) Nurses call box drilling.

DUE TO THE NATURE OF THE MATERIALS
DIMENSIONS MAY VARY ± 1/2"

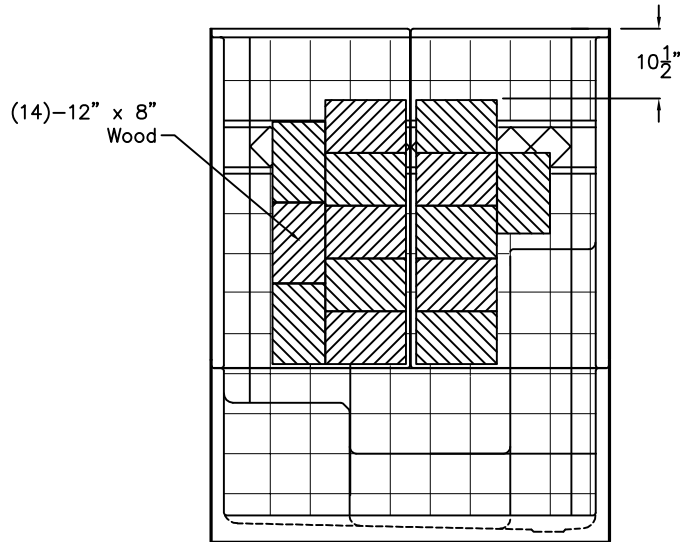
Job Name:		HAMILTON	
Approved By Print Name:		Drawing#: QSI 6032 SH 1S 3P Tile FWB	
Approved By Signature:	Date:	Date: 8-1-08	Revised: 12-7-16
Rep.:	Wholesaler:	Quote No.:	

PRAXIS INDUSTRIES, LLC.
435 INDUSTRIAL RD - SAVANNAH, TN 38372
1 (800) 443-7269 - FAX (731) 925-4290

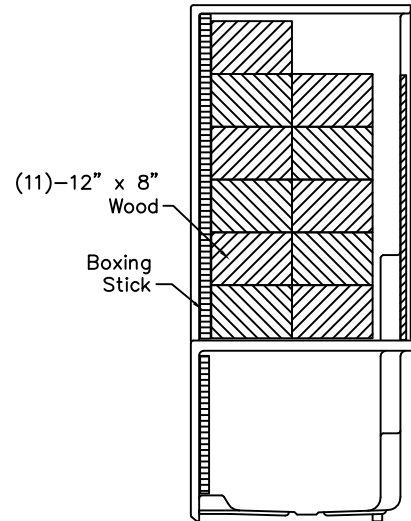
Board Placement

SUBMITTAL DATA

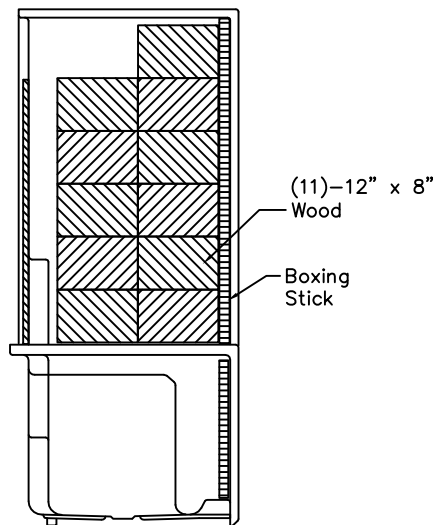
FRONT VIEW



SIDE VIEW



SEAT SIDE VIEW



DUE TO THE NATURE OF THE MATERIALS
DIMENSIONS MAY VARY ± 1/2"

Job Name:	HAMILTON	
Approved by Print Name:	Drawing#: QSI 6032 SH 1S 3P Tile FWB-BP	
Approved by Signature:	Date:	Date: 8-1-08 Revised: 12-7-16
Rep.:	Wholesaler:	Quote No.:

PRAXIS INDUSTRIES, LLC.
435 INDUSTRIAL RD - SAVANNAH, TN 38372
1 (800) 443-7269 - FAX (731) 925-4290