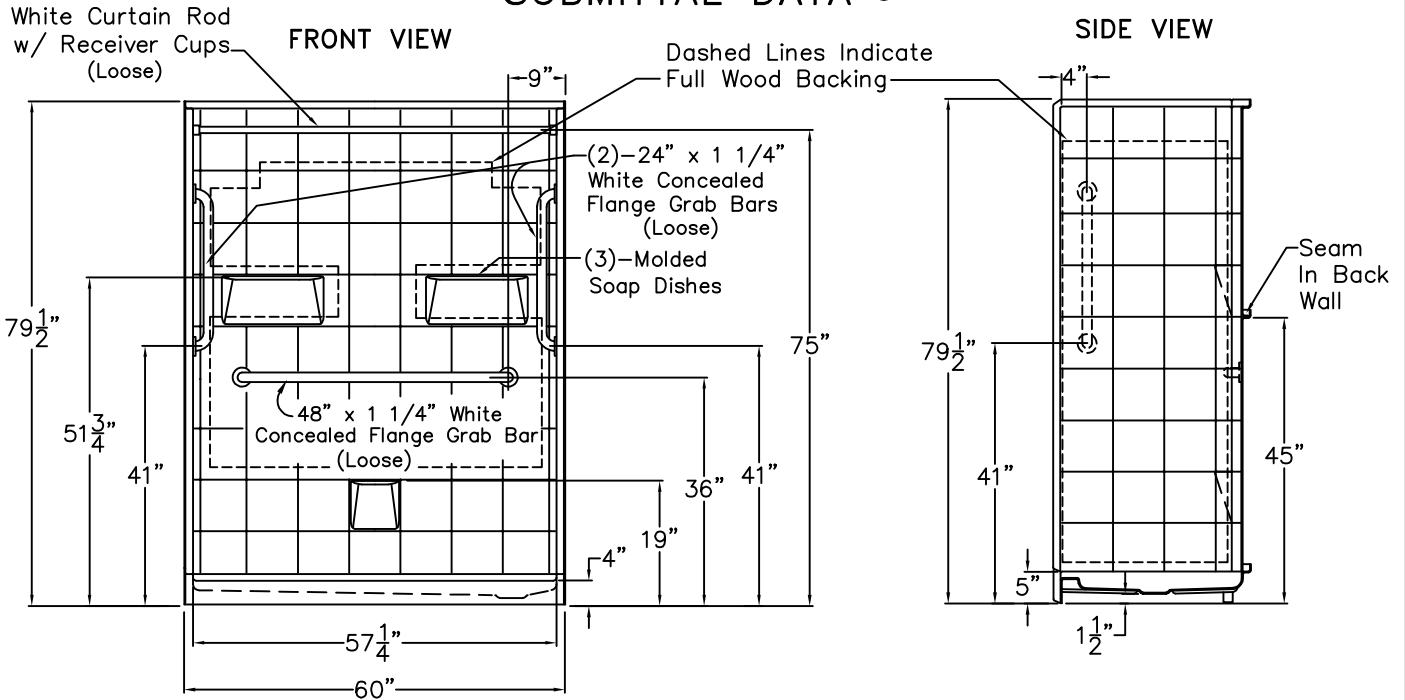


Comfort Series

SUBMITTAL DATA © 2002



Sectional Shower Stall

The shower enclosure shall be Hamilton Model QSI 6030 SH 4.0 5 Piece right or left drain. Finished surface shall be of an applied acrylic. The base shall be attached to the sump of the unit in such a manner to form an integral part with an inner and outer coating of polyester resin. The unit shall have outside dimensions of 60" x 31" x 79 1/2". The unit meets ANSI Z124.1.2, UPC, CSA B45.5, HUD-UM73, and Home Innovation Research Lab.

This enclosure shall be equipped with the following installed accessories:

- 1) One 48" x 1 1/4" diameter white concealed flange grab bar horizontal on the back wall,
- 2) Two 24" x 1 1/4" diameter white concealed flange grab bars, one vertical on each side wall, all with 1 1/2" statute clearance, shipped loose, to be field installed by others,
- 3) One inch diameter white curtain rod with receiver cups, (shipped loose),
- 5) Full wood backing on walls,
- 6) 5 Piece sectional design,
- 7) Factory installed Easy Base self sustaining bottom,
- 8) 1.0" Threshold.

Available Options: 9) Valve package includes: Hand held shower set, swivel connector, 60" flex hose, vacuum breaker, 30" slide bar, wall water outlet fitting, 10) Green anti-bacterial shower curtain and hooks, 11) White shower curtain and hooks. 12) Nurses call box drilling.

This unit features the outside dimensions of 60" of overall width. This does not allow for full enclosure of the bolts that are used to secure the bars and seat in place. This may require the need to notch studs to allow for bolt clearance for installation. For a dry wall enclosed fire wall installation, adjustment of the wallboard maybe necessary to provide clearance of the bolts while maintaining the integrity of the drywall fire wall enclosure.

NOTE GRAB BARS AND CURTAIN ROD SHIPPED LOOSE, FIELD INSTALLED BY OTHERS

DUE TO THE NATURE OF THE MATERIALS
UNIT DIMENSIONS MAY VARY ± 1/2 INCH

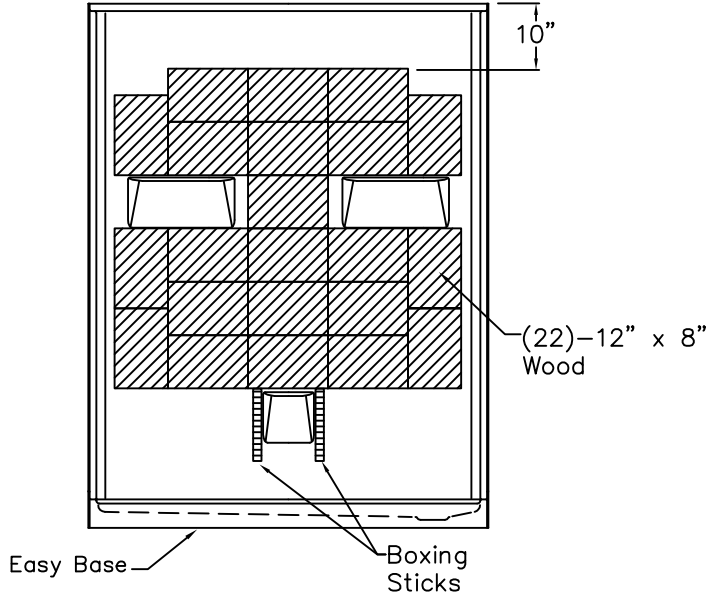
Job Name:		HAMILTON	
Approved By Print Name:		Drawing#: QSI 6030 SH 5P 4.0 WCFHBW WCFVSW2 WCR FWB	
Approved By Signature:	Date:	Date: 3-31-09	Revised: 12-7-16
Rep.:	Wholesaler:	Quote No.	

PRAXIS INDUSTRIES, INC.
ROUTE 1, BOX 46D - SAVANNAH, TN 38372
1 (800) 443-7269 - FAX (901) 925-4290

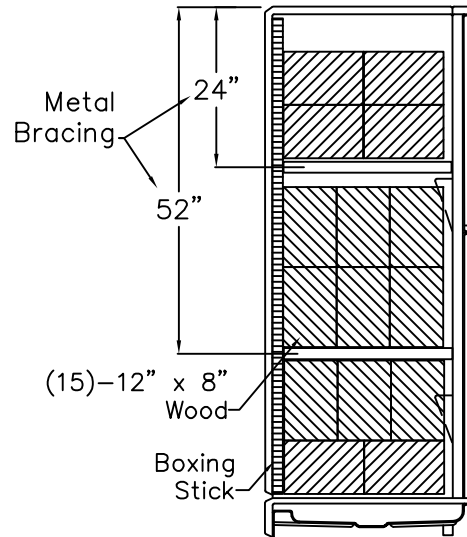
Board Placement Drawing

SUBMITTAL DATA

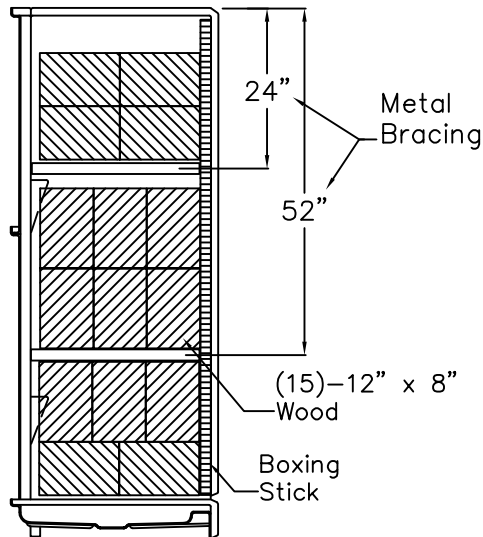
FRONT VIEW



SIDE VIEW



SIDE VIEW



DUE TO THE NATURE OF THE MATERIALS
UNIT DIMENSIONS MAY VARY $\pm 1/2$ INCH

Job Name:	HAMILTON
Approved by Print Name:	Drawing#: QSI 6030 SH 5P 4.0 WCFHBW WCFVSW2 WCR FWB-BP
Approved by Signature:	Date: 3-31-09 Revised: 11-7-16
Rep.:	Quote No.:

PRAXIS INDUSTRIES, INC.
ROUTE 1, BOX 46D - SAVANNAH, TN 38372
1 (800) 443-7269 - FAX (901) 925-4290