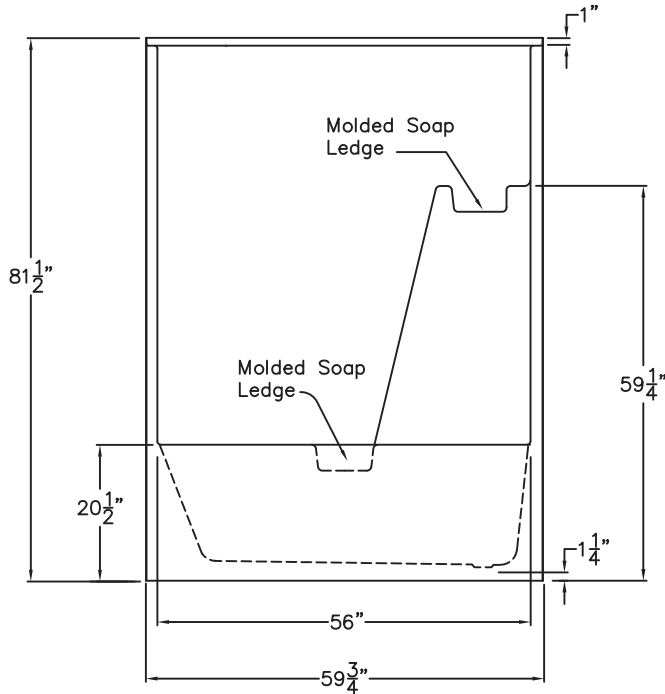


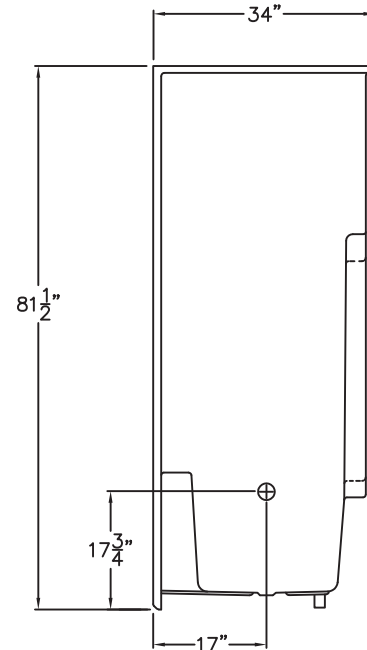
LUXURY ACRYLIC SERIES

SUBMITTAL DATA

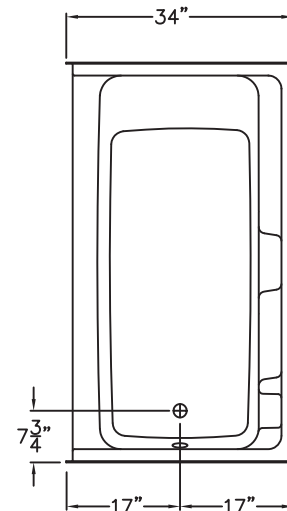
FRONT VIEW



SIDE VIEW



TOP VIEW



Acrylic Tub Shower

This tub shower shall be Praxis model TS 196 RH end drain. Finished surface shall be sanitary grade applied acrylic. The unit shall have outside dimensions of 59 3/4" x 34" x 81 1/2".

The unit shall meet IAPMOZ124-2011, and CSA B45.5-11.

The unit shall be equipped with the following factory installed accessories:

- 1) Molded soap ledges on the back wall,
- 2) Right hand drain location,
- 3) 20 1/2" Apron/skirt.

Optional acrylic towel bar available.

DUE TO THE NATURE OF THE MATERIALS INVOLVED, UNIT DIMENSIONS MAY VARY ± 1/2 INCH.

Job Name:	PRAXIS
Approved By Print Name:	Drawing#: TS 196 RH Tub Shower
Approved By Signature:	Date: 7-17-96 Revised: 11-10-16
Rep.:	Quote No.:

PRAXIS INDUSTRIES, LLC.
 435 INDUSTRIAL RD - SAVANNAH, TN 38372
 1 (800) 443-7269 - FAX (731) 925-4290