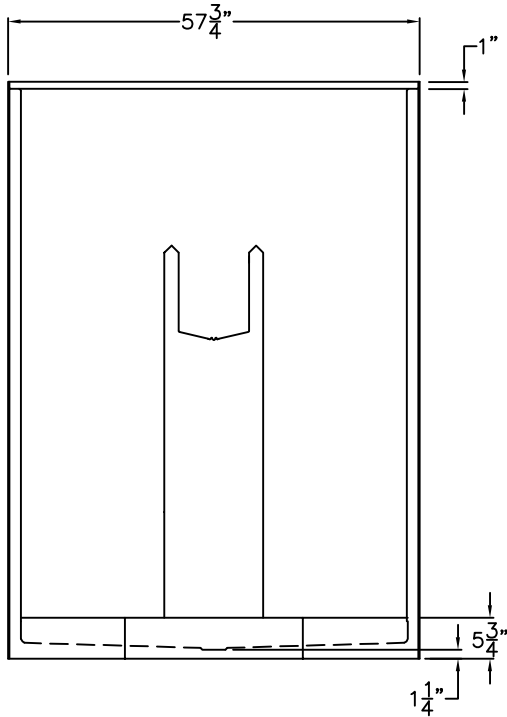


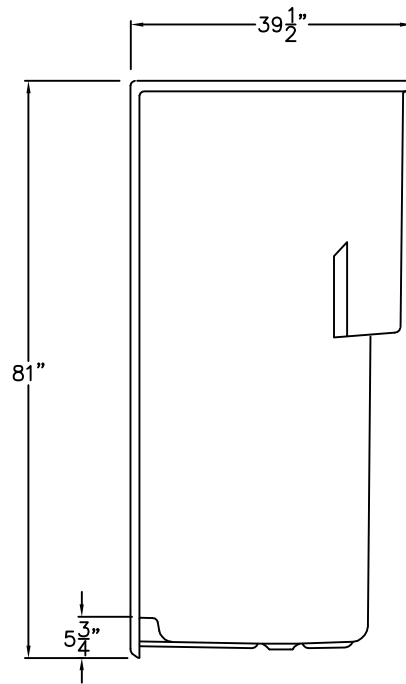
Luxury Acrylic Series

SUBMITTAL DATA

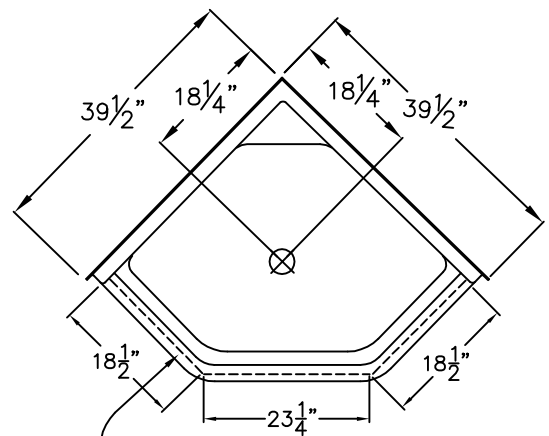
FRONT VIEW



SIDE VIEW



TOP VIEW



Dashed Lines Indicate
Door Centerline Dimensions.

Smooth Wall Shower

This shower enclosure shall be Hamilton Model G 3880 NA center. Finished surface shall be of sanitary-grade applied acrylic. The unit shall have outside dimensions of 39 1/2" x 39 1/2" x 81". The unit shall meet IAPMO Z124-2011, and CSA B45.5-11.

The enclosure shall be equipped with the following factory installed accessories:

- 1) Molded corner soap dish,
- 2) Center drain location,
- 3) 5 3/4" threshold.

*Optional acrylic towel bar available.

DUE TO THE NATURE OF THE MATERIALS
DIMENSIONS MAY VARY ± 1/2"

Job Name:	HAMILTON	
Approved by Print Name:	Drawing#: G 3880 NA	
Approved by Signature:	Date:	Date: 2-12-07 Revised: 11-21-16
Rep.:	Wholesaler:	Quote No.:

PRAXIS INDUSTRIES, LLC.
435 INDUSTRIAL ROAD, SAVANNAH, TN 38372
1 (800) 443-7269 - FAX (731) 925-4290