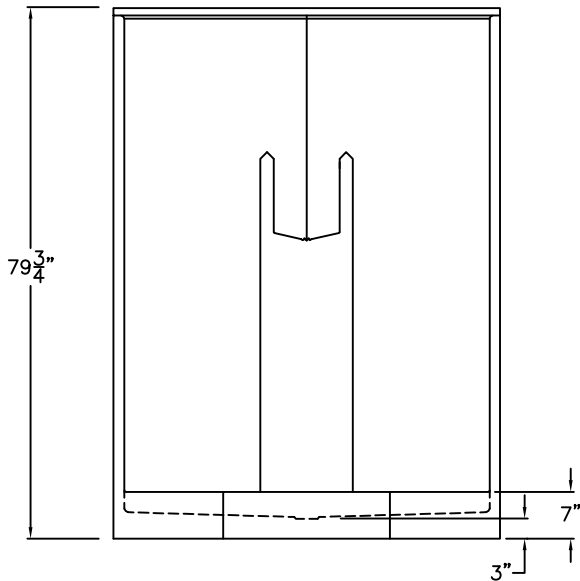


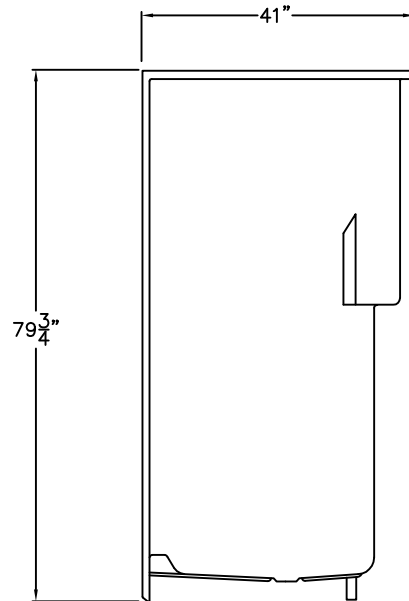
Luxury Acrylic Series

SUBMITTAL DATA

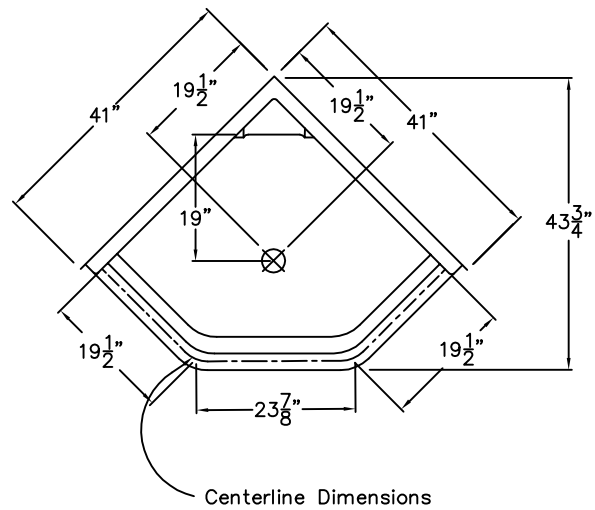
FRONT VIEW



SIDE VIEW



TOP VIEW



DUE TO THE NATURE OF THE MATERIALS
DIMENSIONS MAY VARY ± 1/2"

Smooth Wall Shower

This shower enclosure shall be Hamilton Model G 4080 NA center. Finished surface shall be of sanitary-grade applied acrylic. The unit shall have outside dimensions of 41" x 41" x 79 3/4". The unit shall meet IAPMO Z124-2011, and CSA B45.5-11.

The enclosure shall be equipped with the following factory installed accessories:

- 1) Molded corner soap dish,
- 2) Center drain location,
- 3) 5 3/4" threshold.

*Optional acrylic towel bar available.

Job Name:

HAMILTON

Approved By Print Name:

Drawing#: G 4080 NA

Approved By Signature:

Date:

Date: 1-17-99 Revised: 11-21-16

Rep.:

Wholesaler:

Quote No.:

PRAXIS INDUSTRIES, LLC.
435 INDUSTRIAL RD - SAVANNAH, TN 38372
1 (800) 443-7269 - FAX (731) 925-4290