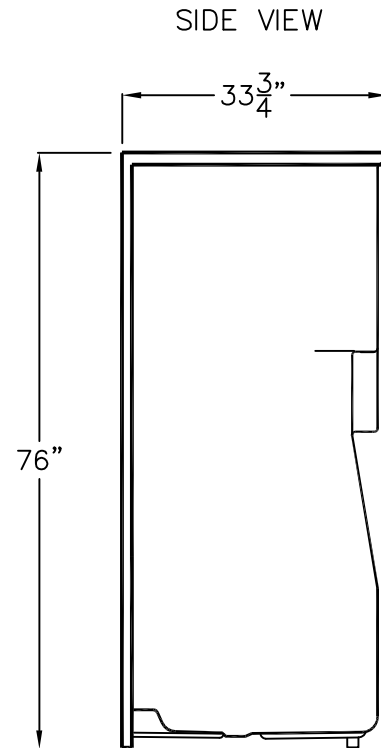
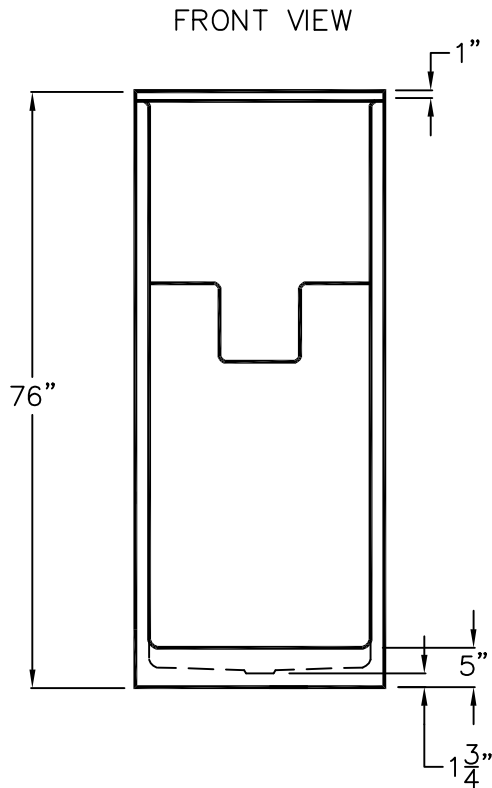
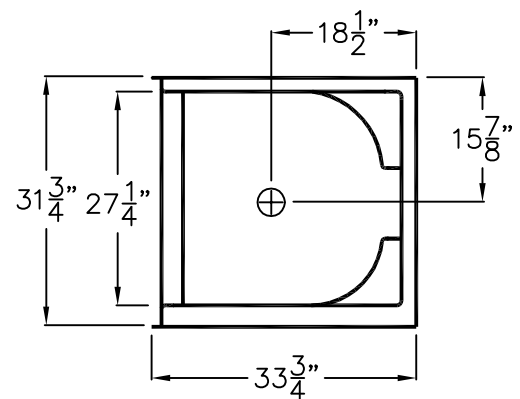


# Luxury Acrylic Series

## SUBMITTAL DATA



TOP VIEW



DUE TO THE NATURE OF THE MATERIALS  
DIMENSIONS MAY VARY ± 1/2"

### Smooth Wall Shower

This shower enclosure shall be Hamilton Model G 3275 SH center. Finished surface shall be of sanitary-grade applied acrylic. The unit shall have outside dimensions of 31 3/4" x 33 3/4" x 76". The unit shall meet IAPMO Z124-2011, and CSA B45.5-11.

The enclosure shall be equipped with the following factory installed accessories:

- 1) Molded soap dishes on back wall,
- 2) Center drain location,
- 3) 5.0" threshold.

\*Optional acrylic towel bar available.

NOTE: DUE TO COMPACT SIZE OF THIS PRODUCT, THE FLOOR SPACE DOES NOT CONFORM TO IRC, IPC, OR UPC CODES

Job Name:

HAMILTON

Approved by Print Name:

Drawing#: G 3275 SH 5.0

Approved by Signature:

Date:

Date: 8-27-02

Revised: 11-17-16

Rep.:

Wholesaler:

Quote No.:

PRAXIS INDUSTRIES, LLC.  
435 INDUSTRIAL RD - SAVANNAH, TN 38372  
1 (800) 443-7269 - FAX (731) 925-4290