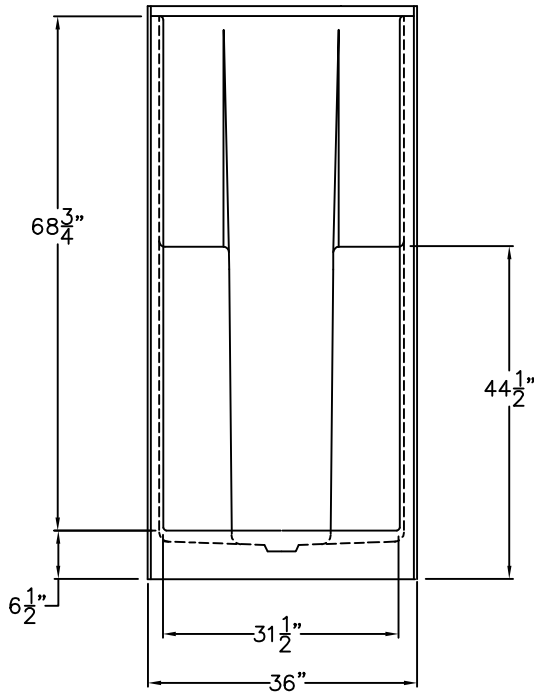


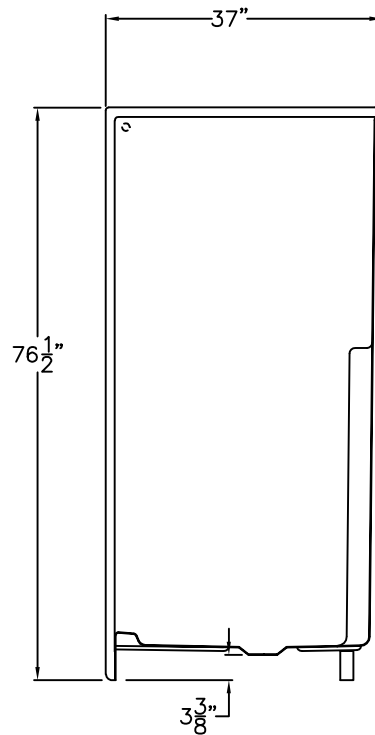
Luxury Acrylic Series

SUBMITTAL DATA

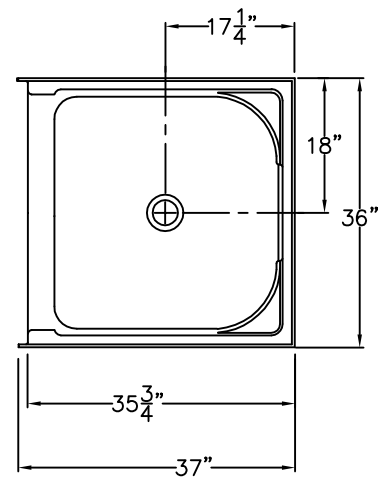
FRONT VIEW



SIDE VIEW



TOP VIEW



Smooth Wall Shower

This shower enclosure shall be Hamilton Model G 3637 SH center. Finished surface shall be of sanitary-grade applied acrylic. The unit shall have outside dimensions of 36" x 37" x 76 1/2". The unit shall meet IAPMO Z124-2011, and CSA B45.5-11.

The enclosure shall be equipped with the following factory installed accessories:

- 1) Two molded soap dish,
- 2) Center drain location,
- 3) 6 1/2" threshold.

DUE TO THE NATURE OF THE MATERIALS
DIMENSIONS MAY VARY ± 1/2"

Job Name:

HAMILTON

Approved by Print Name:

Drawing#: G 3637 SH 6.5

Approved by Signature:

Date:

Date: 2-9-07

Revised: 11-17-16

Rep.:

Wholesaler:

Quote No.:

PRAXIS INDUSTRIES, LLC.
435 INDUSTRIAL ROAD, SAVANNAH, TN 38372
1 (800) 326-5489 - FAX (888) 246-0466