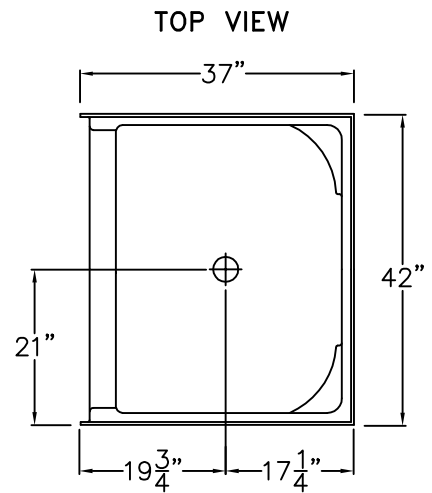
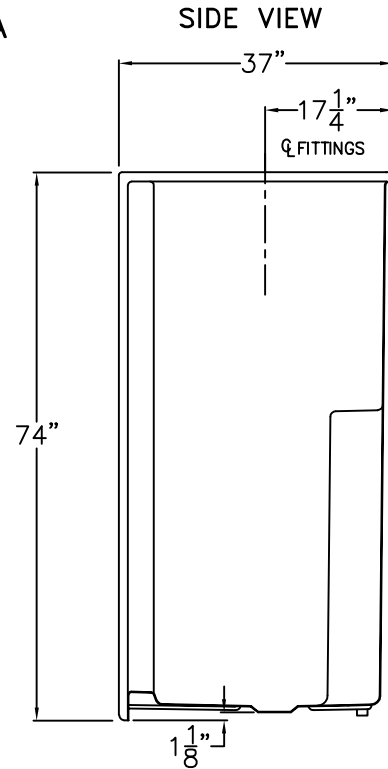
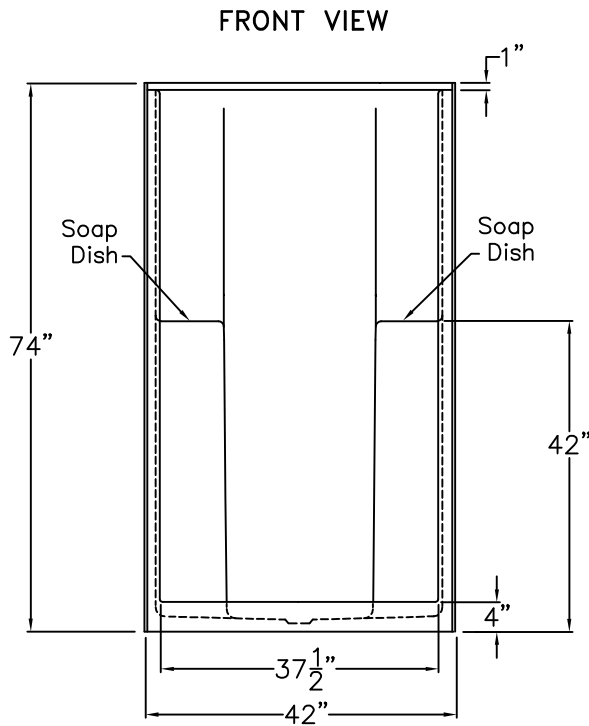


Luxury Acrylic Series

SUBMITTAL DATA



Smooth Wall Shower

This shower enclosure shall be Hamilton Model G 4236 SH center drain. Finished surface shall be of sanitary-grade applied acrylic. The unit shall have outside dimensions of 42" x 37" x 74". The unit shall meet IAPMO Z124-2011, and CSA B45.5-11.

The enclosure shall be equipped with the following factory installed accessories:

- 1) Molded soap dishes,
- 2) 4.0" threshold.

DUE TO THE NATURE OF THE MATERIALS INVOLVED, UNIT DIMENSIONS MAY VARY ± 1/2"

Job Name:	HAMILTON	
Approved By Print Name:	Drawing#: G 4236 SH 4.0	
Approved By Signature:	Date:	Date: 1-26-01 Revised: 11-21-16
Rep.:	Wholesaler:	Quote No.:

PRAXIS INDUSTRIES, LLC.
 435 INDUSTRIAL RD - SAVANNAH, TN 38372
 1 (800) 443-7269 - FAX (731) 925-4290