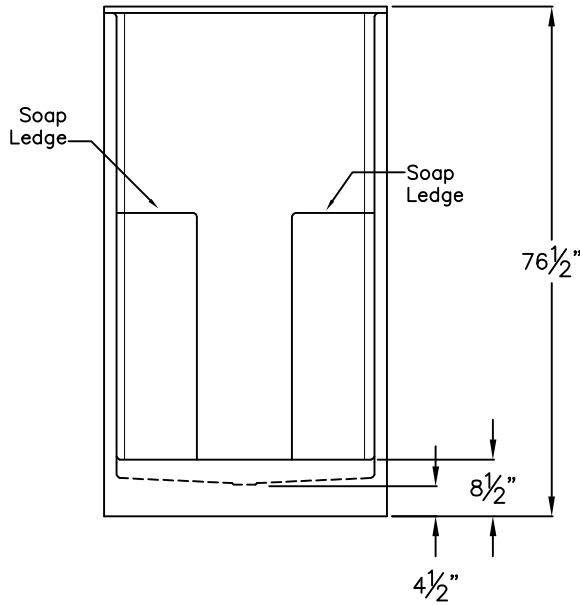


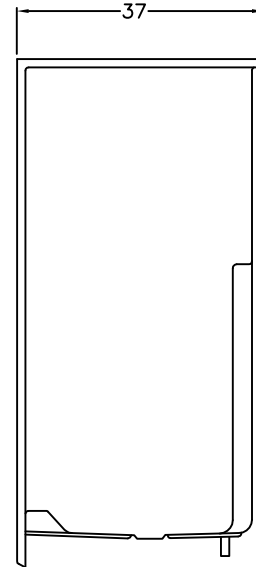
Luxury Acrylic Series

SUBMITTAL DATA

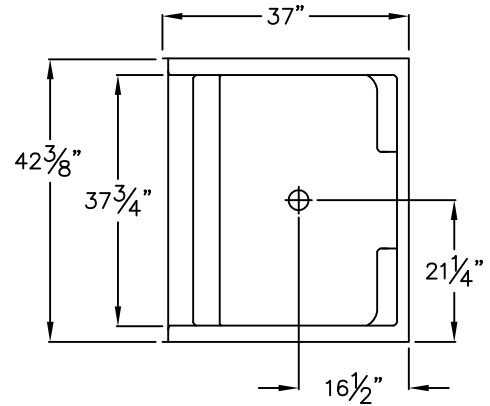
FRONT VIEW



SIDE VIEW



TOP VIEW



Smooth Wall Shower

This shower enclosure shall be Hamilton Model G 4275 center drain. Finished surface shall be of sanitary-grade applied acrylic. The unit shall have outside dimensions of 42 3/8" x 37" x 76 1/2". The unit shall meet IAPMO Z124-2011, and CSA B45.5-11.

The enclosure shall be equipped with the following factory installed accessories:

- 1) Molded corner soap posts,
- 2) Center drain location,
- 3) 8 1/2" threshold.

DUE TO THE NATURE OF THE MATERIALS
DIMENSIONS MAY VARY ± 1/2"

Job Name:	HAMILTON
Approved By Print Name:	Drawing#: G 4275 SH
Approved By Signature:	Date: 7-18-96 Revised: 11-23-16
Rep.:	Quote No.:
Wholesaler:	

PRAXIS INDUSTRIES, INC.
ROUTE 1, BOX 46D - SAVANNAH, TN 38372
1 (800) 443-7269 - FAX (901) 925-4290