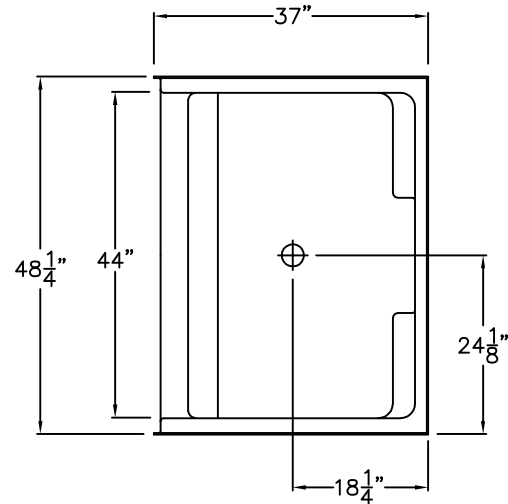
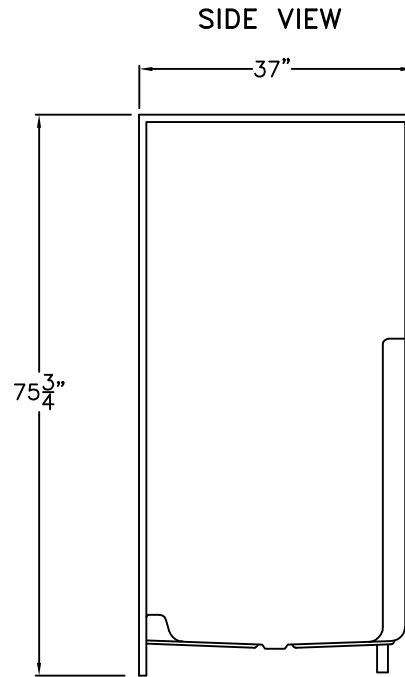
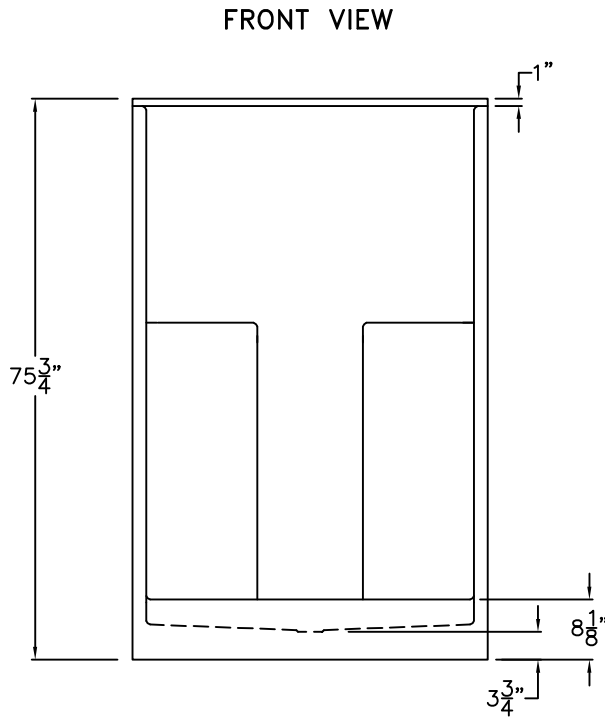


Luxury Acrylic Series

SUBMITTAL DATA



Smooth Wall Shower

This shower enclosure shall be Hamilton Model G 4875 SH NS center drain. Finished surface shall be of sanitary-grade applied acrylic. The unit shall have outside dimensions of 48 1/4" x 37" x 75 3/4". The unit shall meet IAPMO Z124-2011, and CSA B45.5-11.

The enclosure shall be equipped with the following factory installed accessories:

- 1) Molded corner soap dish,
- 2) Center drain location,
- 3) 8 1/8" threshold.

*Optional acrylic towel bar available.

DUE TO THE NATURE OF THE MATERIALS INVOLVED, UNIT DIMENSIONS MAY VARY ± 1/2"

Job Name:	HAMILTON
Approved By Print Name:	Drawing#: G 4875 SH NS
Approved By Signature:	Date: 1-26-01 Revised: 11-23-16
Rep.:	Quote No.:
Wholesaler:	

PRAXIS INDUSTRIES, LLC.
 435 INDUSTRIAL RD - SAVANNAH, TN 38372
 1 (800) 443-7269 - FAX (731) 925-4290