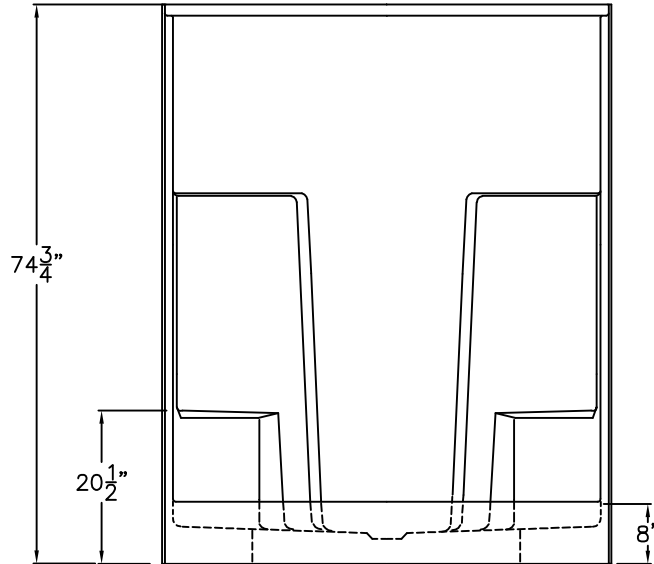


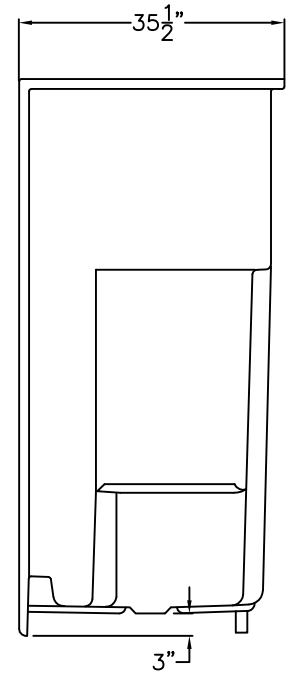
# Luxury Acrylic Series

## SUBMITTAL DATA

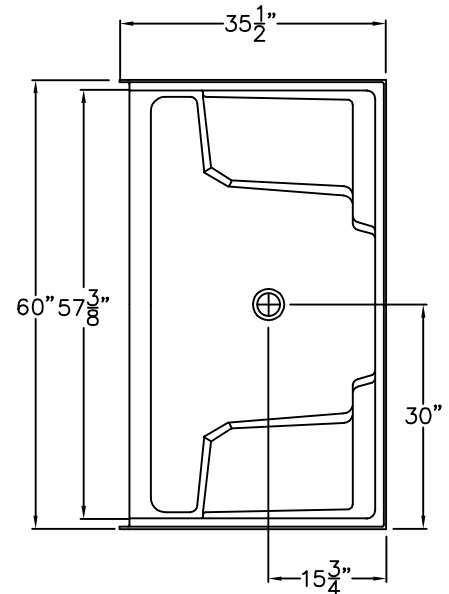
FRONT VIEW



SIDE VIEW



TOP VIEW



### Smooth Wall Shower

This shower enclosure shall be Hamilton Model G 6036 SH 2S center drain. Finished surface shall be of sanitary-grade applied acrylic. The unit shall have outside dimensions of 60" x 35 1/2" x 74 3/4". The unit shall meet IAPMO Z124-2011, and CSA B45.5-11.

The enclosure shall be equipped with the following factory installed accessories:

- 1) Molded corner soap ledges,
- 2) Two molded large molded seats,
- 3) 8.0" threshold.

DUE TO THE NATURE OF THE MATERIALS  
DIMENSIONS MAY VARY ± 1/2"

Job Name:

**HAMILTON**

Approved by Print Name:

Drawing#: G 6036 SH 2S

Approved by Signature:

Date:

Date: 5-18-07

Revised: 11-30-16

Rep.:

Wholesaler:

Quote No.:

PRAXIS INDUSTRIES, LLC.  
435 INDUSTRIAL ROAD, SAVANNAH, TN 38372  
1 (800) 443-7269 - FAX (731) 925-4290