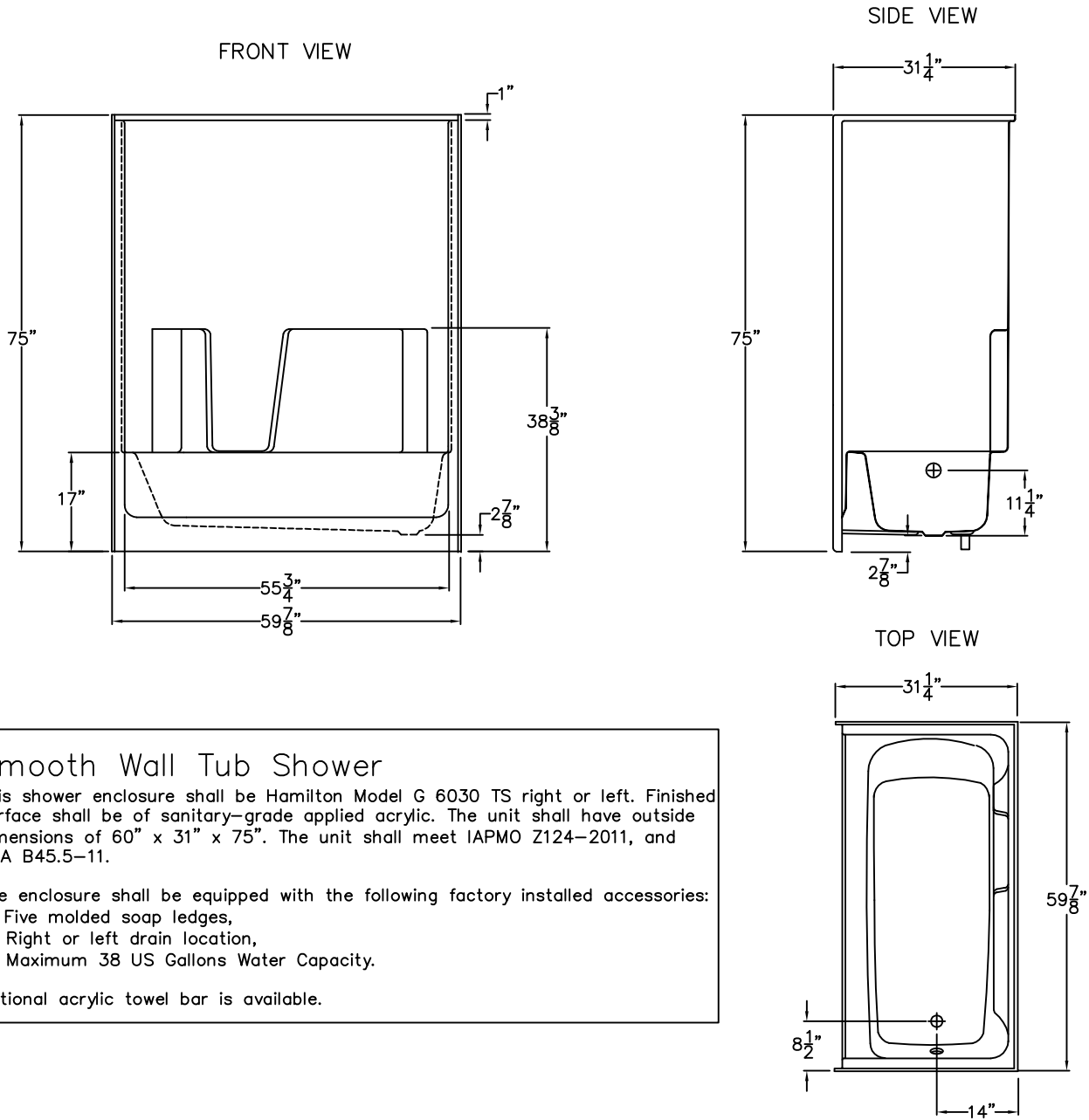


Luxury Acrylic Series

SUBMITTAL DATA



Smooth Wall Tub Shower

This shower enclosure shall be Hamilton Model G 6030 TS right or left. Finished surface shall be of sanitary-grade applied acrylic. The unit shall have outside dimensions of 60" x 31" x 75". The unit shall meet IAPMO Z124-2011, and CSA B45.5-11.

The enclosure shall be equipped with the following factory installed accessories:

- 1) Five molded soap ledges,
- 2) Right or left drain location,
- 3) Maximum 38 US Gallons Water Capacity.

Optional acrylic towel bar is available.

DUE TO THE NATURE OF THE MATERIALS
DIMENSIONS MAY VARY ± 1/2"

Job Name:	HAMILTON	
Approved by Print Name:	Drawing#: G 6030 TS CS	
Approved by Signature:	Date:	Date: 7-23-96 Revised: 11-28-16
Rep.:	Wholesaler:	Quote No.:

PRAXIS INDUSTRIES, INC.
435 INDUSTRIAL ROAD- SAVANNAH, TN 38372
1 (800) 443-7269 - FAX (901) 925-4290