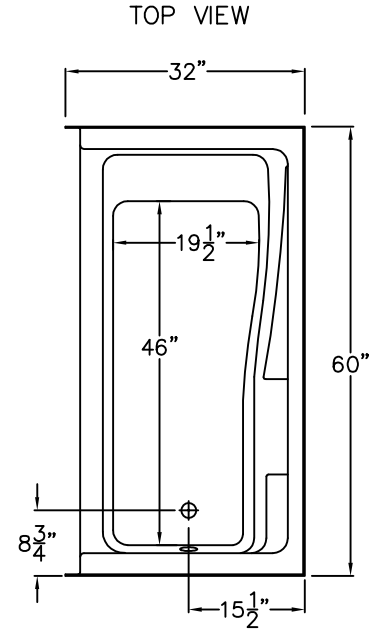
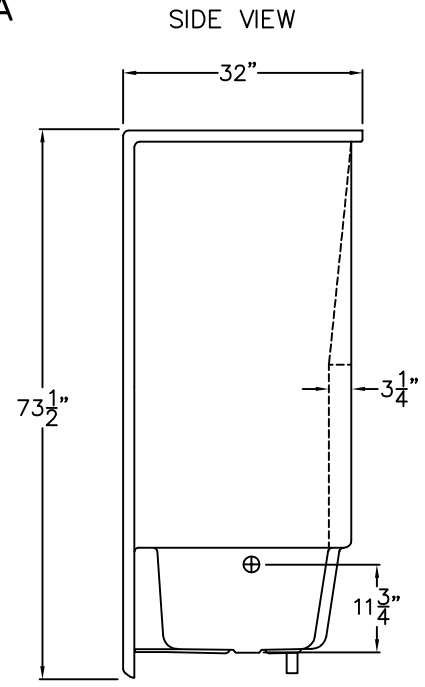
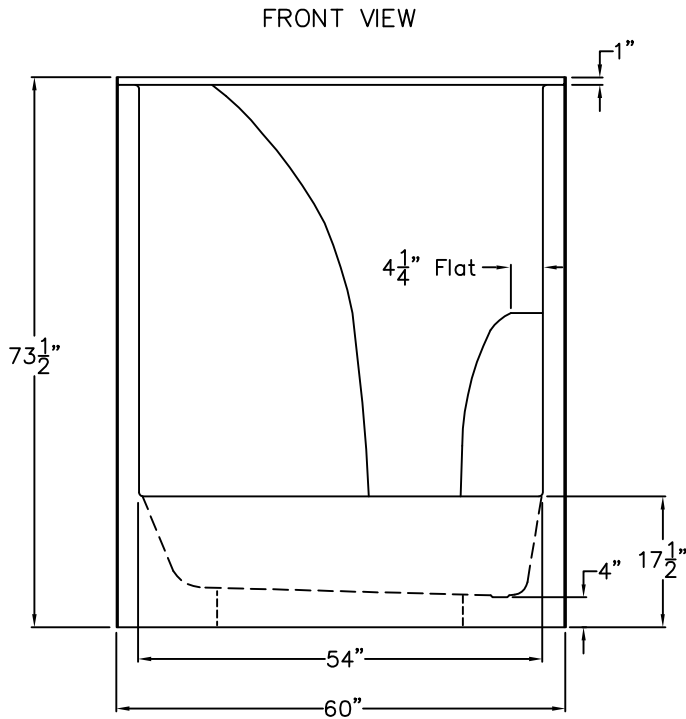


Luxury Acrylic Series

SUBMITTAL DATA



DUE TO THE NATURE OF THE MATERIALS
DIMENSIONS MAY VARY ± 1/2"

Smooth Wall Tub Shower

This shower enclosure shall be Hamilton Model G 6032 TS HS right or left. Finished surface shall be of sanitary-grade applied acrylic. The unit shall have outside dimensions of 60" x 32" x 73 1/2". The unit shall meet IAPMO Z124-2011, and CSA B45.5-11.

The enclosure shall be equipped with the following factory installed accessories:

- 1) Cascade design molded soap ledge,
- 2) Right or left drain location,
- 3) Water Capacity: 35 US Gallons.

Optional acrylic towel bar is available.

Job Name:		HAMILTON	
Approved By Print Name:		Drawing#: G6032 TS HS	
Approved By Signature:	Date:	Date: 5-17-07	Revised: 11-28-16
Rep.:	Wholesaler:	Quote No.:	

PRAXIS INDUSTRIES, LLC.
435 INDUSTRIAL ROAD, SAVANNAH, TN 38372
1 (800) 326-5489 - FAX (888) 246-0466