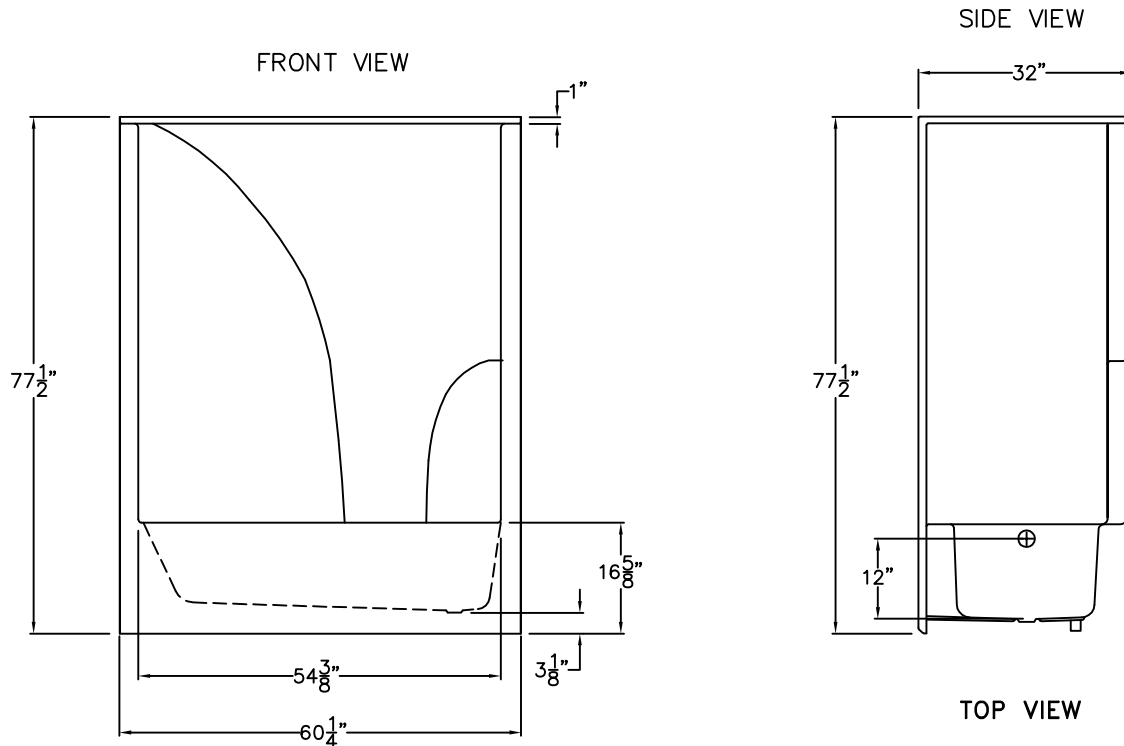


Luxury Acrylic Series

SUBMITTAL DATA



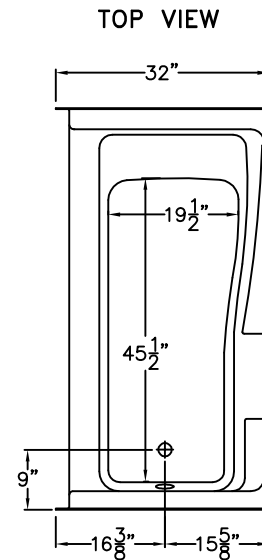
Smooth Wall Tub Shower

This shower enclosure shall be Hamilton Model G 6078 TS right or left. Finished surface shall be of sanitary-grade applied acrylic. The unit shall have outside dimensions of 60 1/4" x 32" x 77 1/2". The unit shall meet IAPMO Z124-2011, and CSA B45.5-11.

The enclosure shall be equipped with the following factory installed accessories:

- 1) Cascade design molded soap ledge on back wall,
- 2) Right or left drain location.

Optional acrylic towel bar is available.



DUE TO THE NATURE OF THE MATERIALS
DIMENSIONS MAY VARY ± 1/2"

Job Name:	HAMILTON	
Approved by Print Name:	Drawing#: G 6078 TS	
Approved by Signature:	Date:	Date: 10-21-03 Revised: 12-1-16
Rep.:	Wholesaler:	Quote No.:

PRAXIS INDUSTRIES, LLC.
435 INDUSTRIAL RD - SAVANNAH, TN 38372
1 (800) 443-7269 - FAX (731) 925-4290