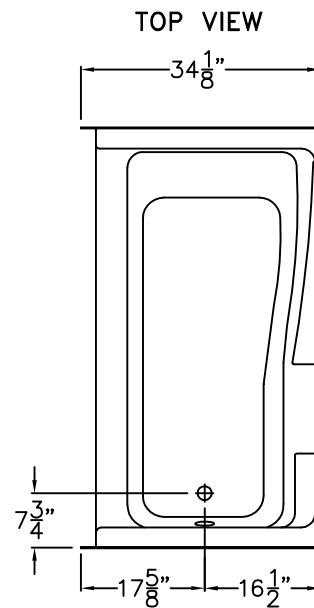
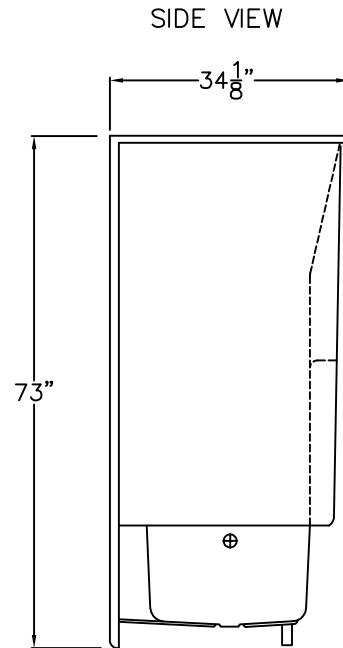
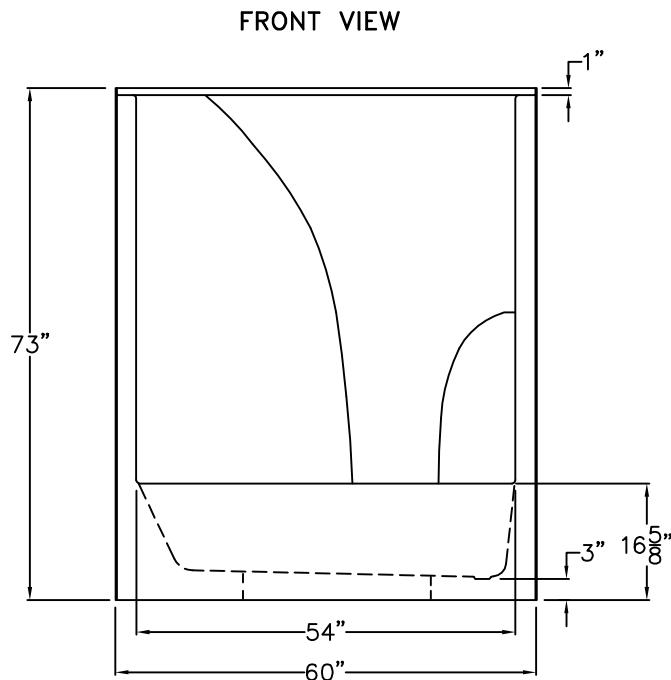


# Luxury Acrylic Series

## SUBMITTAL DATA



### Smooth Wall Tub Shower

This shower enclosure shall be Hamilton Model G 6034 TS right or left. Finished surface shall be of sanitary-grade applied acrylic. The unit shall have outside dimensions of 60" x 34 1/8" x 73". The unit shall meet IAPMO Z124-2011, and CSA B45.5-11.

The enclosure shall be equipped with the following factory installed accessories:

- 1) Cascade design molded soap ledge,
- 2) Right or left drain location,

\*Optional Acrylic towel bar available.

DUE TO THE NATURE OF THE MATERIALS  
DIMENSIONS MAY VARY ± 1/2"

Job Name:

HAMILTON

Approved by Print Name:

Drawing#: G 6034 TS

Approved by Signature:

Date:

Date: 10-21-03

Revised: 11-30-16

Rep.:

Wholesaler:

Quote No.:

PRAXIS INDUSTRIES, LLC.  
435 INDUSTRIAL RD - SAVANNAH, TN 38372  
1 (800) 443-7269 - FAX (731) 925-4290