



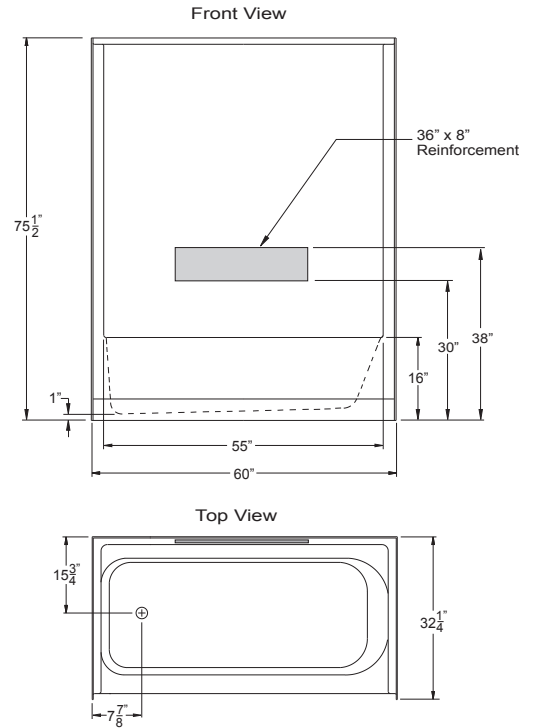
THE CHOOSE HOME COLLECTION
product sheet

CHG 6092 TS

60" x 32.25" x 75.5"

Enclosure: n/a

1" standard rough



FEATURES

<u>FINISH</u>	<u>PRODUCT</u>	<u>PIECES</u>	<u>WALL</u>
solid surface or AcrylX™ applied acrylic	reinforced tub shower	one	smooth, flat wall

OPTIONS

<u>WHIRLPOOL</u>	<u>SOLID SURFACE COLOR</u>	<u>AcrylX™ COLOR</u>	<u>ACCESSORIES</u>
yes	cotton seed, almond, beach	white, bone, biscuit	drain, comfort bar, decorative bar

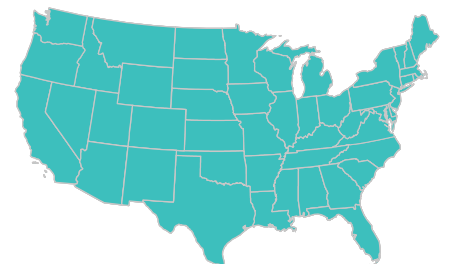
TECHNICAL INFORMATION

<u>WT</u>	<u>LOAD FACTOR</u>	<u>HANDED BY</u>	<u>CODES</u>	<u>WARRANTY</u>
150	1.13	drain left or right	ANSI 124.1, UPC, NAHB, CSA	lifetime limited - solid surface lifetime limited - AcrylX™

Due to the nature of the materials, dimensions may vary +/- 1/2".



Smooth Wall



AVAILABILITY

■ Extended Lead Time ■ Standard Lead Time

CUSTOMER SERVICE 800.443.7269

435 Industrial Road | Savannah, TN 38372 | Fax 731.925.4290 | www.praxiscompanies.com

Rev. 083013