

Commercial Showers & Tub Showers

64" Gelcoat Remodel Shower



Hamilton
BATHWARE

MAS Roll-In Showers SECTIONAL GELCOAT

711B - NO MODIFICATIONS TO PACKAGES. FOR BUILT TO ORDER UNIT, SELECT BASE UNIT AND ACCESSORIES.

PKG ONE-MAS: G 6037 IBS 3P MAS		List: \$2429
1.25" NO RECESS BF THRESHOLD	MUDSET	
Handed by SEAT L/R	WHITE POLYESTER GELCOAT FINISH	
Factory Installed Accessories (VALVE/SHOWER KIT NOT INCLUDED IN PKG1)		
S-BAR 24" X 1.25" PEENED SS		
S-BAR 36" X 1.25" PEENED SS		
SEAT 28.5" X 21" FRAMELESS WHITE PADDED		
LOOSE SELF-LOCKING PUSH PINS		

FOR MAS COMPLIANCE WITH SEAT: NO CURB ALLOWED, INSTALLED ACCESSORIES MUST INCLUDE: PEENED OR TEXTURED L-BAR, PADDED L-SEAT, PRESSURE BALANCING MIXING VALVE, HAND HELD SHOWER WITH SLIDE BAR (BACK WALL, WITH IN REACH OF SEATED USER), VACUUM BREAKER AND 60" HOSE. UNIT AND ACCESSORIES INSTALLED PER MAS & PRAXIS INSTALLATION & WARRANTY GUIDELINES.

BUILD TO ORDER BASE PLUS ACCESSORIES

BASE UNIT 1: G 6037 I 3P MAS		List: \$1432
SPECIFY THRESHOLD HEIGHT	MUDSET	Handed by CENTER DRAIN OR SEAT SIDE
Reinforced for Standard Accessories		
LOOSE SELF-LOCKING PUSH PINS		

BASE UNIT OPTIONAL ACCESSORIES

FINISHES		List:
STANDARD FINISH- POLYESTER GELCOAT FINISH: WHITE, BONE, BISCUIT		\$0

GRAB BARS		
S-BAR 24" x 1.25" PEENED SS		\$136
S-BAR 24" x 1.25" TEXTURED WHITE		\$157
S-BAR 36" x 1.25" PEENED SS		\$138
S-BAR 36" x 1.25" TEXTURED WHITE		\$176

INSIDE CURTAIN LINE SEATS (REVISED ADA-ABA 2004)		
SEAT 28.5" X 21" FRAMELESS WHITE PADDED		\$723

FACTORY MODIFICATIONS		
MOD VALVE DRILLING - SPECIFY HOLE SIZE		\$56
MOD 1.25" NO RECESS BF THRESHOLD		\$111
MOD 2" THRESHOLD		\$0
MOD INSTALL 30" SLIDE BAR / HS KIT		\$411
MOD INSTALL STANDARD SYMMONS VALVE PACKAGE		\$633
MOD INSTALL HANS GROHE THERMOSTATIC VALVE PACKAGE (XLT)		\$501
MOD INSTALL POWERS VALVE PACKAGE (XLT)		\$656

CURTAIN RODS		
ROD CURTAIN ROD U CUP HOLDER PAIR		\$14
ROD 1" OD 20 GAUGE SS		\$71
ROD 1" OD 20 GAUGE WHITE		\$138

FIELD INSTALLED ACCESSORIES		
LOOSE CURTAIN PREMIUM 66" X 72" WHITE NYLON WTD		\$180
LOOSE CURTAIN HEAVY DUTY 66" X 72" WHITE VINYL WTD		\$119
LOOSE TUBGUARD P3 PRO FIELD INST 60" X 30" ADA		\$74

ADDITIONAL ACCESSORIES AND SERVICES MAY BE AVAILABLE UPON REQUEST



G 6037 IBS 3P MAS

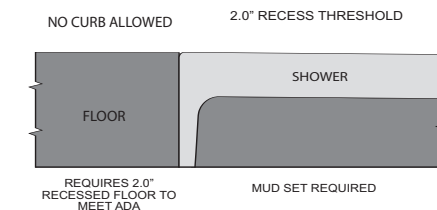
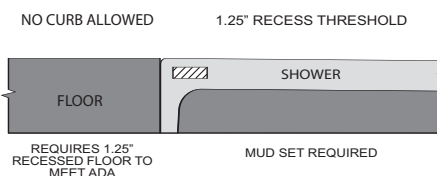
PHOTOGRAPH AT LEFT ILLUSTRATES PACKAGE ONE (HANDED BY SEAT LEFT)

Sanitary Grade Polyester Gelcoat Three Year Warranty

Primary Applications:

- Healthcare
- College Dormitory
- Hospitality
- Schools
- Assisted Living

MAS Roll-In Shower Threshold Requirements:



711B rev. 09/25/07

G 6037 I 3P MAS

OD: 64" x 35" x 75.25"

ID: 60" x 32" CENTER POINT

WEIGHT: 230

LOAD FACTOR: 1.88

HANDED BY: CENTER DRAIN OR SEAT L/R

Special Notes: This unit complies with MAS, ANSI Z124.2, NAHB, UPC, ASTM F462, ASTM E84.

Warranty: Gelcoat models have a 3 year limited warranty. Acrylic models have a 5 year limited warranty. Pumps, parts, and accessories 1 year limited warranty. For further details please refer to the complete warranty section.

Due to the nature of the materials, dimensions may vary +/- 1/2".

DRAWING REQUEST MUST BE MADE FOR PACKAGE 2 DRAWING AND BUILT TO ORDER UNITS.



Hamilton Bathware/Praxis Companies, LLC.

435 Industrial Road, Savannah • Tennessee 38372 • Customer Service: 800.326.5489 • Fax: 888.246.0466 • www.hamiltonbathware.com

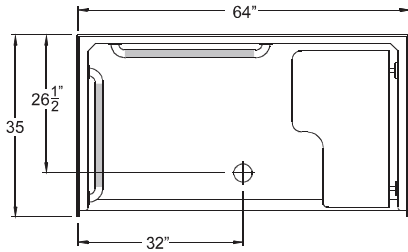
Product Availability
Hamilton Northeast
XLT-EXTENDED LEADTIME

Product Availability
Hamilton Mid-America
XLT-EXTENDED LEADTIME

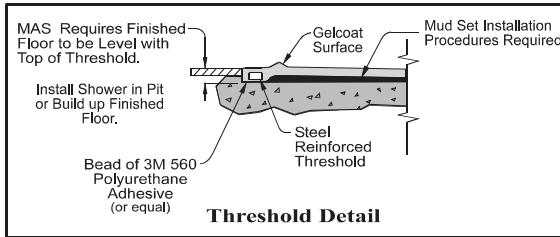
Product Availability
Hamilton South
STD-STANDARD LEADTIME

PACKAGE ONE - MAS G 6037 IBS 3P MAS

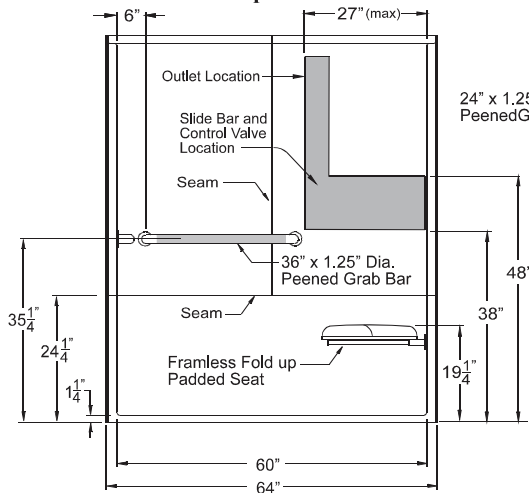
No modifications accepted (Packaged units only)



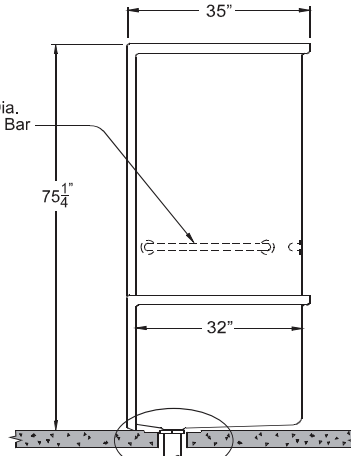
Top View



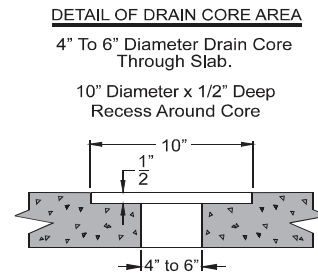
Threshold Detail



Front View



Side View

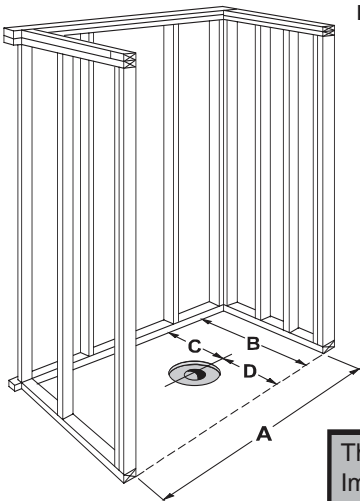


NOTE: Due to the nature of the materials, dimension may vary $\pm 1/2"$.

NOTE: Back wall grab bar must be un-bolted during shower installation.

MAS COMPLIANCE REQUIREMENTS

For ADA compliance with seat: Installed accessories must include: L-shaped padded fold up seat, two horizontal grab bars, pressure balancing mixing valve, hand held shower with slide bar (on back wall within reach of seated user), vacuum breaker and 60" hose. Unit and accessories must be installed per MAS and Praxis guidelines.



FRAMING DIMENSIONS

A	B	C	D
64 $\frac{1}{4}$ "	35"	26 $\frac{1}{2}$ "	8 $\frac{1}{2}$ "

10" Diameter x 1/2" Deep Recess Around Drain Core

Unit must be installed into a recessed pit -or- build up finished floor to comply with ADA threshold guidelines.

STANDARD FEATURES

- High gloss gelcoat finish
- Low threshold entry
- Three piece design
- White padded fold up seat
- Stainless steel grab bars

STANDARD CODES

- ANSI Z124.2
- ASTM F463
- ASTM E84
- SBCCI
- NAHB
- UPC

MASSACHUSETTS ARCHITECTURAL ACCESS BOARD

MAS

(when fully equipped)
Unit configured with standard features, pressure balanced control valve and hand held shower package.

Confirm any requested loose accessories desired by circling the items on page one.

Submittal drawing required for Prepackaged model. **NO MODIFICATIONS ACCEPTED.**

All built to order model configurations and submittal drawings must be ordered.

UPC/SKU NUMBERS Left Hand Valve: _____ Right Hand Valve: _____

This model included in the **PRAXIS QUALITY INSTALLATION ASSURANCE PROGRAM.** Important installation procedures **MUST** be followed for the fixture to be granted a warranty.

ATTENTION PLUMBING CONTRACTOR!!! THIS ORDER WILL NOT BE PROCESSED UNLESS THIS DOCUMENT IS SIGNED, DATED AND A CONTACT PHONE NUMBER OF THE PLUMBING CONTRACTOR IS PROVIDED. FOR ORDERS OF FOUR OR MORE UNITS, PARTICIPATION IN THE PRAXIS QUALITY INSTALLATION ASSURANCE PROGRAM IS MANDATORY FOR ACTIVATION OF PRODUCT WARRANTY.

Signed: Date: Contact Phone Number:

Praxis Quality Installation Assurance Program Information: Phone: (800)-759-7744 ext: 29.

Customer Service: (800)-443-7269 Fax: (731)-925-0379