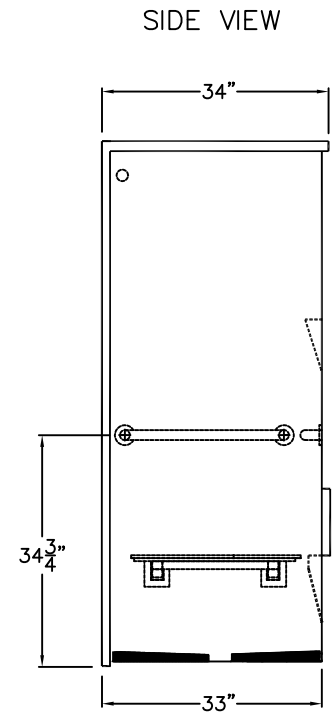
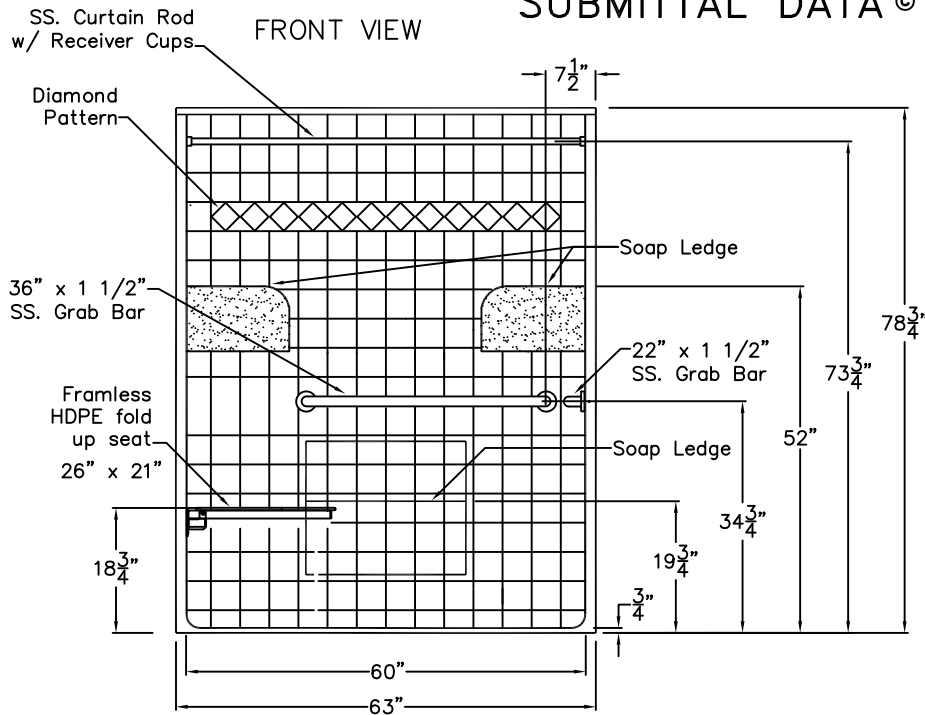


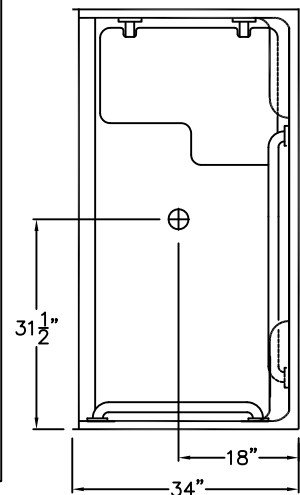
# Special Needs Series

## SUBMITTAL DATA © 1999



**SH-1**

TOP VIEW



### Roll-In Shower Stall

The shower enclosure shall be Hamilton Model G 6334 IBS Tile .75 center, right or left. Finished surface shall be of a sanitary-grade polyester Delcoat exhibiting a minimal thickness of 15 dry mils, and a finished cured Barcol hardness of 80-90 as tested with ASTM D-2583. Unit construction shall be of molded reinforced fiberglass with a 15% minimum fiberglass content. The unit shall have outside dimensions of 63" x 34" x 78 3/4". The base shall be attached to the sump of the unit in such a manner to form an integral part with an inner and outer coating of reinforced polyester resin. The unit shall meet ANSI A117.1, ANSI Z124.2, ADA, HUD, BOCA, NAHB, UPC, and shall meet the requirements of Southern Building Code.

The enclosure shall be equipped with the following installed accessories:

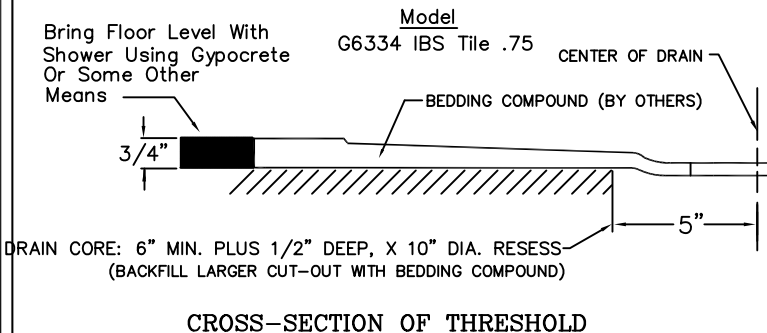
- 1) one 36" x 1 1/2" diameter 18 gauge stainless steel grab bar on the back wall,
- 2) one 22" x 1 1/2" diameter 18 gauge stainless steel grab bar on valve side wall, with 1 1/2" statute clearance, mounted with stainless steel bolts and secured from the rear with a 3" x 3" x 11 gauge metal mounting plate,
- 3) molded leg ledge,
- 4) molded corner soap dishes,
- 5) tile finish,
- 6) one inch diameter 18 gauge stainless steel curtain rod with receiver cups,
- 7) 26" x 21" Factory installed HDPE fold up seat,
- 8) 3/4" Threshold.

THIS UNIT FEATURES THE OUTSIDE DIMENSIONS OF 63" OF OVERALL WIDTH. THIS DOES NOT ALLOW FOR FULL ENCLOSURE OF THE BOLTS THAT ARE USED TO SECURE THE BARS AND SEAT IN PLACE. THE BOLT AND NUT COMBINATION SHOULD NOT PROTRUDE ANY MORE THAN 3/4" ON EITHER SIDE.

THIS SHOULD NOT CREATE ANY TYPE OF INSTALLATION PROBLEMS EXCEPT FOR A DRY WALL ENCLOSED FIRE WALL INSTALLATION AREA THAT WOULD NOT ALLOW FOR ANY VARIATIONS. IN A STANDARD STUD/ OPENING INSTALLATION THE EXTENSION OF THE HARDWARE SHOULD NOT CAUSE ANY TYPE OF PROBLEM.

NOTE: THIS UNIT WILL NOT ACCEPT A DOOR!

DUE TO THE NATURE OF THE MATERIALS  
DIMENSIONS MAY VARY ± 1/2"



<b>HAMILTON</b>	
Drawing#: G6334IBS Tile .75 HBW HSW CR FHDPSH-1	
Date: 6-22-07.	Revised: 11-26-13
Quote No.:	

PRAXIS INDUSTRIES, LLC.

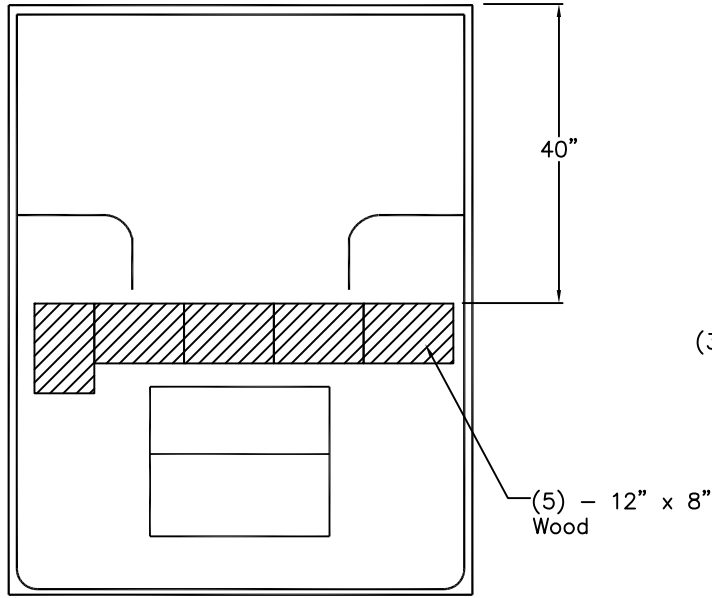
Recyclable Paper

435 INDUSTRIAL RD - SAVANNAH, TN 38372  
1 (800) 443-7269 - FAX (731) 925-4290

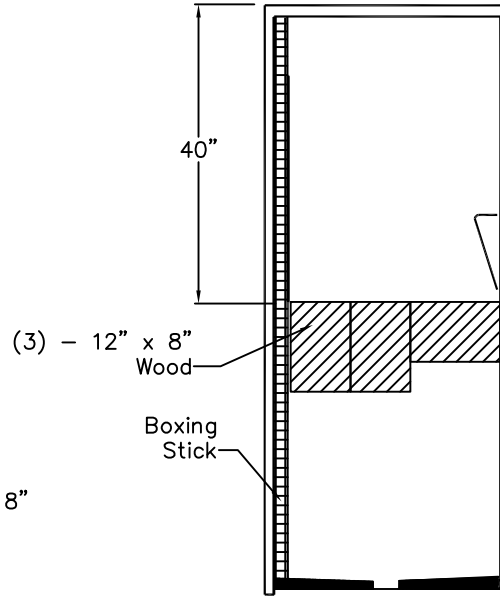
# Board Placement Drawing

## SUBMITTAL DATA

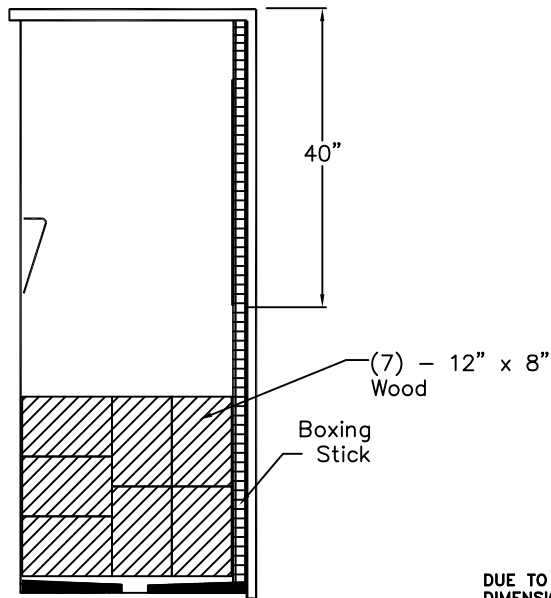
FRONT VIEW



SIDE VIEW



SIDE VIEW



DUE TO THE NATURE OF THE MATERIALS  
DIMENSIONS MAY VARY ± 1/2"

Job Name:	HAMILTON	
Approved by Print Name:	Drawing#: G6334 IBS Tile .75 HBW HSW CR FHDP SH-1-BP	
Approved by Signature:	Date Approved:	Date: 5-23-07 Revised: 11-26-13
Rep.:	Wholesaler:	Quote No.:

PRAXIS INDUSTRIES, LLC.  
435 INDUSTRIAL ROAD, SAVANNAH, TN 38372  
1 (800) 326-5489 - FAX (888) 246-0466