

Commercial Showers & Tub Showers

62" Gelcoat Shower



Hamilton
BATHWARE

MAS Roll-In Showers ONE-PIECE GELCOAT

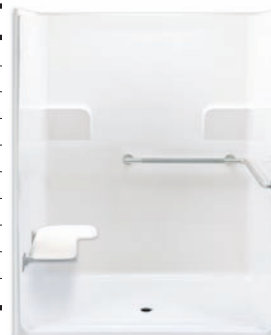
706B- NO MODIFICATIONS TO PACKAGES. FOR BUILT TO ORDER UNIT, SELECT BASE UNIT AND ACCESSORIES.		
PKG ONE-MAS: G 6239 IBS MAS		List: \$1951
.75" NO RECESS BF THRESHOLD	MUDSET	
Handed by SEAT L/R	WHITE POLYESTER GELCOAT FINISH	
Factory Installed Accessories (VALVE/SHOWER KIT NOT INCLUDED IN PKG1)		
L-BAR	37" X 33" X 1.25" PEENED SS	
SEAT	32" X 21" FRAMELESS WHITE PADDED FOLD UP	
FOR MAS COMPLIANCE WITH SEAT: NO CURB ALLOWED, INSTALLED ACCESSORIES MUST INCLUDE: PEENED OR TEXTURED L-BAR, PADDED L-SEAT, PRESSURE BALANCING MIXING VALVE, HAND HELD SHOWER WITH SLIDE BAR (BACK WALL, WITH IN REACH OF SEATED USER), VACUUM BREAKER AND 60" HOSE. UNIT AND ACCESSORIES INSTALLED PER MAS & PRAXIS INSTALLATION & WARRANTY GUIDELINES.		
BUILD TO ORDER BASE PLUS ACCESSORIES		
BASE UNIT 1: G 6239 I MAS		List: \$978
SPECIFY THRESHOLD HEIGHT	MUDSET	
Handed by SEAT L/R		
Reinforced for Standard Accessories		
BASE UNIT OPTIONAL ACCESSORIES		List:
FINISHES		
STANDARD FINISH- POLYESTER GELCOAT FINISH: WHITE, BONE, BISCUIT		\$0
GRAB BARS		
L-BAR	37" X 33" X 1.25" PEENED SS	\$225
L-BAR	37" X 33" X 1.25" TEXTURED WHITE CC	\$291
INSIDE CURTAIN LINE SEATS (REVISED ADA-ABA 2004)		
SEAT	32" X 21" FRAMELESS WHITE PADDED FOLD UP	\$747
FACTORY MODIFICATIONS		
MOD	VALVE DRILLING - SPECIFY HOLE SIZE	\$56
MOD	2" BF THRESHOLD	\$0
MOD	.75" NO RECESS BF THRESHOLD	\$111
MOD	INSTALL STANDARD SYMMONS VALVE PACKAGE	\$633
MOD	INSTALL HANS GROHE THERMOSTATIC VALVE PACKAGE (XLT)	\$501
MOD	INSTALL POWERS VALVE PACKAGE (XLT)	\$656
MOD	INSTALL 30" SLIDE BAR / HS KIT	\$411
MOD	ARMORSHIELD P3 PROTECTION	\$149
MOD	TUBGUARD P3 PROTECTION 60" X 36" BF	\$86
CURTAIN RODS		
ROD	CURTAIN ROD U CUP HOLDER PAIR	\$14
ROD	1" OD 20 GAUGE SS	\$71
ROD	1" OD 20 GAUGE WHITE	\$138
FIELD INSTALLED ACCESSORIES		
LOOSE	CURTAIN PREMIUM 66" X 72" WHITE NYLON WTD	\$180
LOOSE	CURTAIN HEAVY DUTY 66" X 72" WHITE VINYL WTD	\$119
LOOSE	TUBGUARD P3 PRO FIELD INST 60" X 36" BF	\$74

ADDITIONAL ACCESSORIES AND SERVICES MAY BE AVAILABLE UPON REQUEST

Special Notes: This unit complies with MAS, ANSI Z124.2, NAHB, UPC, ASTM F462, ASTM E84.
Warranty: Gelcoat models have a 3 year limited warranty. Acrylic models have a 5 year limited warranty.
Pumps, parts, and accessories 1 year limited warranty. For further details please refer to the complete warranty section.

Due to the nature of the materials, dimensions may vary +/- 1/2".

DRAWING REQUEST MUST BE MADE FOR PACKAGE 2 DRAWING AND BULIT TO ORDER UNITS.



G 6239 IBS MAS

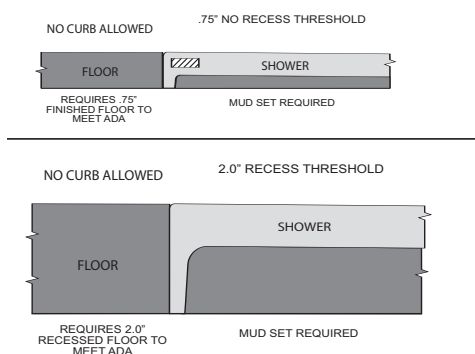
PHOTOGRAPH AT LEFT ILLUSTRATES PACKAGE ONE (HANDED BY SEAT LEFT)

**Sanitary Grade Polyester Gelcoat
Three Year Warranty**

Primary Applications:

- Healthcare
- College Dormitory
- Hospitality
- Schools
- Assisted Living

MAS Roll-In Shower Threshold Requirements:



706B rev. 09/25/07

G 6239 I MAS

OD: 62" x 39.5" x 78.75"

ID: 60" x 36" CENTER POINT

WEIGHT: 200

LOAD FACTOR: 2

HANDED BY: CENTER DRAIN OR SEAT L/R



Hamilton Bathware/Praxis Companies, LLC.

435 Industrial Road, Savannah • Tennessee 38372 • Customer Service: 800.326.5489 • Fax: 888.246.0466 • www.hamiltonbathware.com

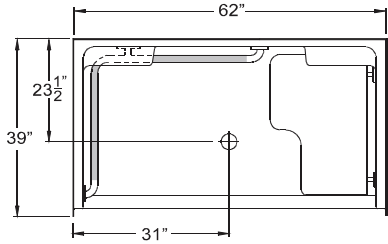
**Product Availability
Hamilton Northeast
STD-STANDARD LEADTIME**

**Product Availability
Hamilton Mid-America
STD-STANDARD LEADTIME**

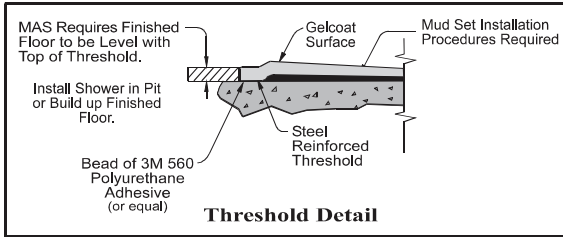
**Product Availability
Hamilton South
STD-STANDARD LEADTIME**

PACKAGE ONE - MAS G 6239 IBS MAS

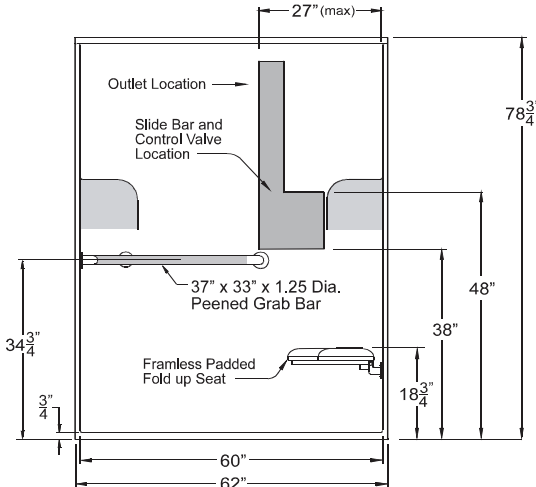
No modifications accepted (Packaged units only)



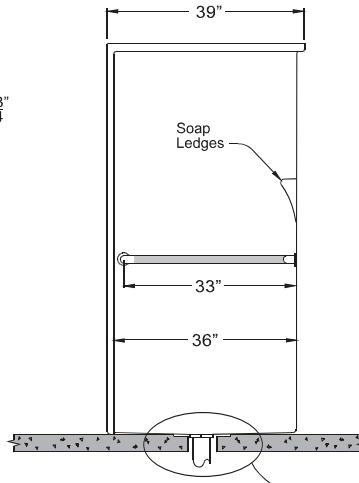
Top View



Threshold Detail



Front View

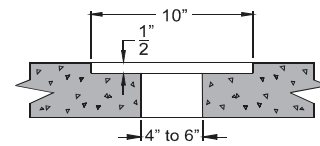


Side View

DETAIL OF DRAIN CORE AREA

4" To 6" Diameter Drain Core Through Slab.

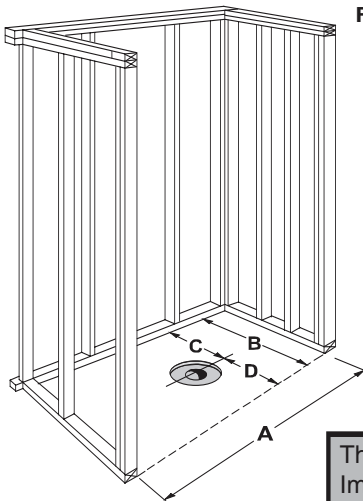
10" Diameter x 1/2" Deep Recess Around Core



NOTE: Due to the nature of the materials, dimension may vary $\pm 1/2"$.

MAS COMPLIANCE REQUIREMENTS

For MAS compliance with seat: Installed accessories must include: L-shaped padded fold up seat, horizontal peened L-grab bar, pressure balancing mixing valve, hand held shower with 30" slide bar (on back wall within reach of seated user), vacuum breaker and 60" hose. Unit and accessories must be installed per MAS and Praxis guidelines.



FRAMING DIMENSIONS

A	B	C	D
62 $\frac{1}{4}$ "	39"	23 $\frac{1}{2}$ "	15 $\frac{1}{2}$ "

10" Diameter x 1/2" Deep Recess Around Drain Core

Unit must be installed into a recessed pit -or- build up finished floor to comply with MAS threshold guidelines.

Confirm any requested loose accessories desired by circling the items on page one.

Submittal drawing required for Prepackaged model. **NO MODIFICATIONS ACCEPTED.**

All built to order model configurations and submittal drawings must be ordered.

UPC/SKU NUMBERS Left Hand Valve: _____ Right Hand Valve: _____

STANDARD FEATURES

- High gloss gelcoat finish
- Low threshold entry
- Molded soap dishes
- Padded fold up seat
- Stainless steel grab bars

STANDARD CODES

- ANSI Z124.2
- ASTM F463
- ASTM E84
- SBCCI
- NAHB
- UPC

MASSACHUSETTS ARCHITECTURAL ACCESS BOARD

- MAS

(when fully equipped)
Unit configured with standard features, pressure balanced control valve and hand held shower package.

This model included in the **PRAXIS QUALITY INSTALLATION ASSURANCE PROGRAM.** Important installation procedures **MUST** be followed for the fixture to be granted a warranty.

ATTENTION PLUMBING CONTRACTOR!!! THIS ORDER WILL NOT BE PROCESSED UNLESS THIS DOCUMENT IS SIGNED, DATED AND A CONTACT PHONE NUMBER OF THE PLUMBING CONTRACTOR IS PROVIDED. FOR ORDERS OF FOUR OR MORE UNITS, PARTICIPATION IN THE PRAXIS QUALITY INSTALLATION ASSURANCE PROGRAM IS MANDATORY FOR ACTIVATION OF PRODUCT WARRANTY.

Signed: Date: Contact Phone Number:

Praxis Quality Installation Assurance Program Information: Phone: (800)-759-7744 ext: 29.

Customer Service: (800)-443-7269 Fax: (731)-925-0379