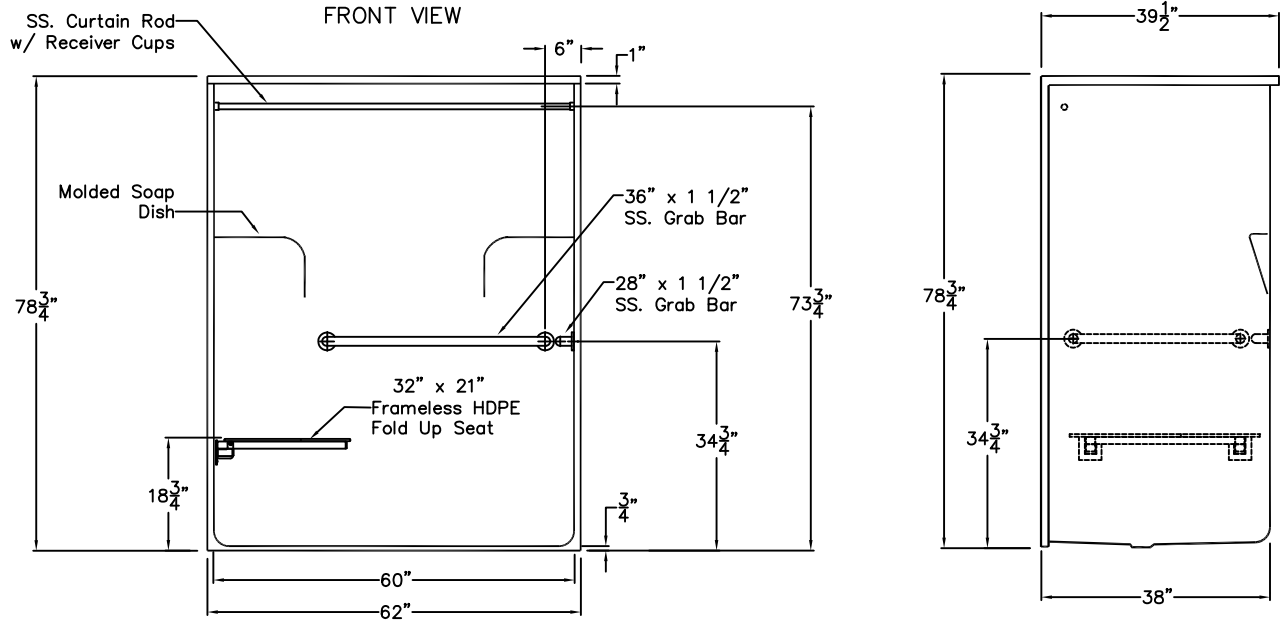


Special Needs Series

SUBMITTAL DATA



Roll-In Shower Stall

The shower enclosure shall be Hamilton Model G 6239 IBS, right or left. Finished surface shall be of a sanitary-grade polyester gelcoat exhibiting a minimal thickness of 15 dry mils, and a finished cured Barcol hardness of 80-90 as tested with ASTM D-2583. Unit construction shall be of a molded reinforced fiberglass with a 15% minimum fiberglass content. The unit shall have outside dimensions of 62" x 39 1/2" x 78 3/4". The base shall be attached to the sump of the unit in such a manner to form an integral part with an inner and outer coating of reinforced polyester resin. The unit shall meet CSA B45.5-11, ANSI A117.1, ADA, HUD, BOCA, Home Innovation Research Lab, IAPMO Z124-2011, and shall meet the requirements of the Southern Building Code.

The enclosure shall be equipped with the following installed accessories:

- 1) one 36" x 1 1/2" diameter, 18 gauge stainless steel grab bar horizontal on the back wall,
- 2) one 28" x 1 1/2" diameter, 18 gauge stainless steel grab bar, horizontal on the side wall, both with 1 1/2" statute clearance, mounted with stainless steel bolts and secured from the rear with a 3" x 3" x 11 gauge metal mounting plate,
- 3) White frameless 32" x 21" HDPE fold up seat,
- 4) One inch diameter, 18 gauge stainless steel curtain rod with receiver cups,
- 5) 3/4" threshold.

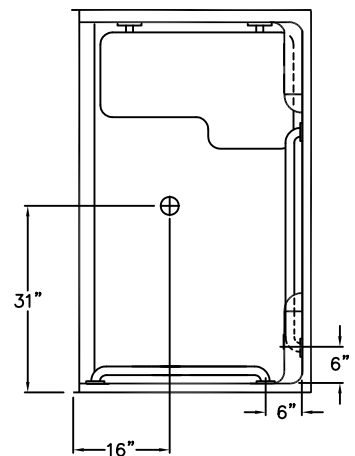
Available Options:

- 1) curtain rod with cups, 2) recessed stainless steel soap dish, 3) vertical grab bar, 4) Green shower curtain, anti-bacterial, and hooks, 5) White shower curtain and hooks.

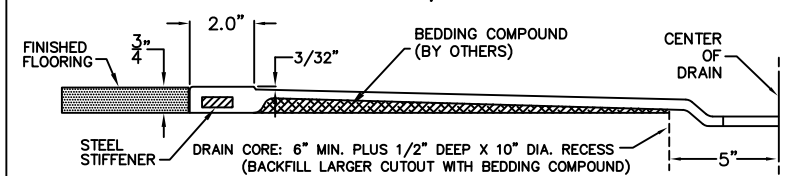
THIS UNIT FEATURES THE OUTSIDE DIMENSIONS OF 62" OF OVERALL WIDTH. THIS DOES NOT ALLOW FOR FULL ENCLOSURE OF THE BOLTS THAT ARE USED TO SECURE THE BARS AND SEAT IN PLACE. THE BOLT AND NUT COMBINATION SHOULD NOT PROTRUDE ANY MORE THAN 3/4" ON EITHER SIDE OF THE SHOWER WALLS. THIS MAY REQUIRE THE NEED TO NOTCH STUDS TO ALLOW BOLT CLEARANCE FOR INSTALLATION. FOR A DRY WALL ENCLOSED FIRE WALL INSTALLATION, ADJUSTMENT OF THE WALLBOARD MAY BE NECESSARY TO PROVIDE CLEARANCE OF THE BOLT(S) WHILE MAINTAINING THE INTEGRITY OF THE DRYWALL ENCLOSED FIRE WALL ENCLOSURE.

NOTE: THIS UNIT WILL NOT ACCEPT A DOOR!

TOP VIEW



Detail of 3/4" Threshold



DUE TO THE NATURE OF THE MATERIALS DIMENSIONS MAY VARY ± 1/2"

HAMILTON

Approved by Print Name:

Drawing#: G6239 IBS .75 HBW HSW FHDP CR

Approved by Signature:

Date Approved:

Date: 4-17-98

Revised: 3-3-14

Rep.:

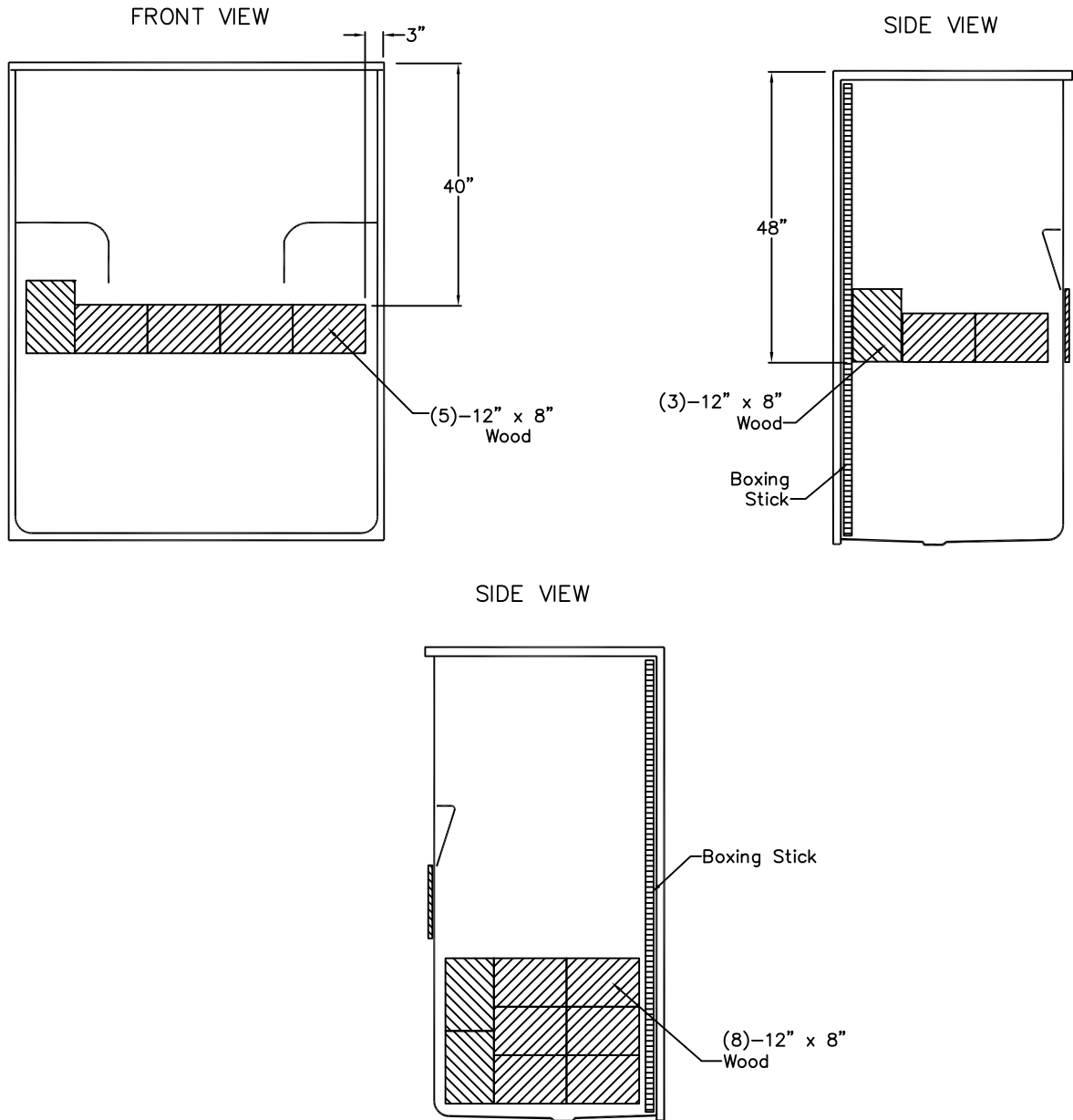
Wholesaler:

Quote No.:

PRAXIS INDUSTRIES, INC.
 435 INDUSTRIAL RD - SAVANNAH, TN 38372
 1 (800) 443-7269 - FAX (901) 925-4290

Board Placement

SUBMITTAL DATA



DUE TO THE NATURE OF THE MATERIALS
DIMENSIONS MAY VARY ± 1/2"

Job Name:	HAMILTON
Model No.:	Drawing#: G 6239 IBS .75 HBW HSW FHDP CR-BP
Approved by:	Date Approved:
Rep.:	Wholesaler:
	Date: 4-17-98 Revised: 3-3-14
	Quote No.:

PRAXIS INDUSTRIES, LLC.
435 INDUSTRIAL RD - SAVANNAH, TN 38372
1 (800) 443-7269 - FAX (731) 925-4290