



TAS
Transfer Showers
 ONE-PIECE DOMED ACRYLIC
 TEXAS ACCESSIBILITY STANDARD

A 6436 IBS TAS

OD: 64.5" x 37" x 82.75"

ID: 60" x 36" Center Point

Weight: 255

Load Factor: 2

Handed By: Center Drain or Seat L/R

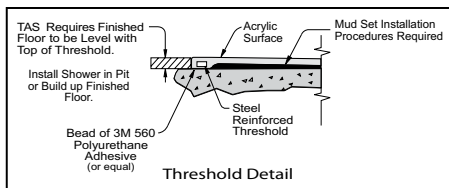
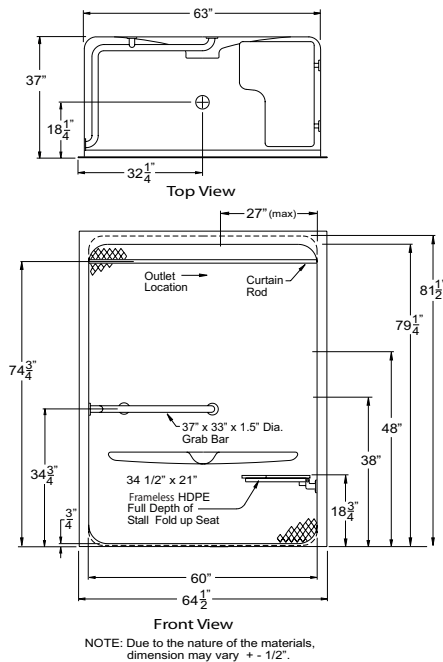
This unit complies with TAS, ANSI Z124.2, ICC/ ANSI A117.1, UPC, HUD, ASTM F462, ASTM E84, ADA, ABA, BOCA, SBCCI, NAHB.

Warranty: Gelcoat models have a 3 year limited warranty. Acrylic models have a 5 year limited warranty. Pumps, parts, and accessories 1 year limited warranty. For further details please refer to the complete warranty section.

Due to the nature of the materials, dimensions may vary +/- 1/2".



Photograph Illustrates Package One - Handed by Seat Left



• Refer to pages 47 & 48 to view corresponding framing detail.
 • 10" Diameter x .5" deep recess around drain core

PKG ONE - TAS: A 6436 IBS TAS

- .75" No Recess BF Threshold
- Handed by Seat L/R
- Mudset
- White Premium Cast Acrylic

Factory Installed Accessories (Valve not included):

- L-Bar - 33" x 37" x 1.5" Smooth SS Radius
- 34.5" X 21" White HDPE RAD Fold Up Seat
- 1" OD 18 Gauge SS Grommet Style Curtain Rod

For TAS compliance with seat, installed accessories must include L-Bar, 34.5" L-seat, pressure balancing mixing valve, hand-held shower with slide bar (back wall, with in reach of seated user), vacuum breaker and 60" hose. Unit and accessories installed per TAS and Praxis installation and warranty guidelines.

BUILD TO ORDER BASE PLUS ACCESSORIES

BASE UNIT 1: A 6436 I TAS

- Specify Threshold Height
- Handed by Center Drain or Seat L/R
- Mudset
- Reinforced for Standard Accessories

BASE UNIT 2: A 6436 I EB TAS

- .875" No Recess BF Threshold
- Handed by Center Drain or Seat L/R
- EasyBase™
- Reinforced for Standard Accessories

BASE UNIT OPTIONAL ACCESSORIES

Standard Finish - Premium Cast Acrylic:

- White
- Bone
- Biscuit

Grab Bars

- S-Bar - 24" x 1.5" Smooth SS
- S-Bar - 24" x 1.25" Smooth White CC
- L-Bar - 33" x 37" x 1.5" Smooth SS Radius
- L-Bar - 33" x 37" x 1.25" Smooth White Radius
- L-Bar - 33" x 37" x 1.25" Peened SS Radius
- U-Bar - 33" x 60" x 33" x 1.5" Smooth SS Radius w/ Center Flange
- U-Bar - 33" x 60" x 33" x 1.25" Smooth White Radius w/ Center Flange

Full Depth of Stall Seats (ADAAG 1991-2002)

- 34.5" X 21" White HDPE RAD Fold Up Seat
- 34.5" X 21" White Padded RAD Fold Up Seat
- 34.5" X 21" Woodgrain Phenolic RAD Fold Up Seat

Factory Modifications

- Modified Drain Location - Specify Location
- Nurse Call Box Drilling - Specify Location
- Dome Light Drilling
- Valve Drilling - Specify Hole Size
- .75" No Recess BF Threshold
- 2" BF Threshold (Not Available with EasyBase™)
- Wood Reinforcement for HUD
- Full Wood Reinforcement
- ArmorShield P3 Protection
- Install 30" Slide Bar / HS Kit
- Install SS Soap Dish - Recessed
- Install Standard Symmons Valve Package
- 1" OD 18 Gauge SS Grommet Style Curtain Rod
- 1" OD 18 Gauge White Grommet Style Curtain Rod

Field Installed Accessories (Shipped Loose)

- No Caulk Drain - Chrome
- Semi-Permanent Threshold
- Collapsible Dam - White 66"
- Caps for Collapsible Dam - Pair
- Curtain - Premium 66" x 72" White Nylon Weighted
- Curtain - Heavy Duty 66" x 72" White Vinyl Weighted
- Dome Light - Voltage 144 Standard
- Dome Light - Voltage 277

HDPE (high density polyethylene) seats used by Praxis Companies, LLC contain recycled materials.