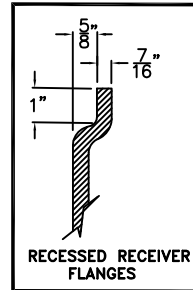
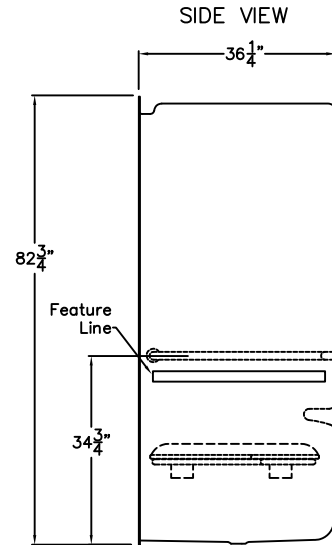
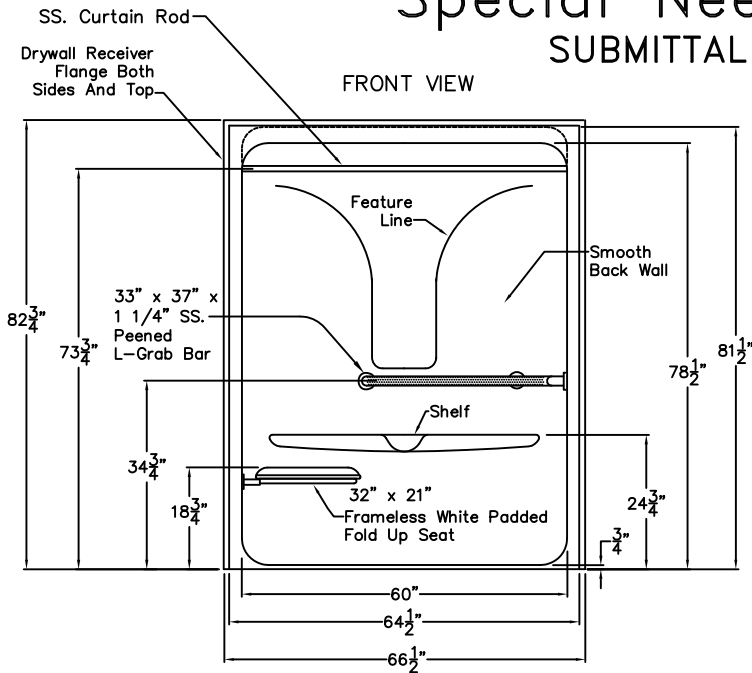


Special Needs Series

SUBMITTAL DATA



Roll-in Shower Stall

This shower enclosure shall be Hamilton Model A 6436 IBS. The unit shall be molded from a single sheet of acrylic so as not to have any seams or joints. It shall meet ANSI A117.1, IAPMOZ124-2011, ADA, HUD, BOCA, Home Innovation Research Lab, MASS, CSA, UPC, shall have the back side fire rating of "A" and a flame spread of less than 25. Shall be designed to meet most state and national standards on design for the disabled including Southern Building Code. The unit shall have inside dimensions of 60" x 36" x 81 1/2" and the outside dimensions of 66 1/2" x 36 1/4" x 82 3/4".

The enclosure shall be equipped with the following factory installed accessories:

- 1) One 37" x 33" x 1 1/4" diameter stainless steel peened horizontal L-grab bar, with 1 1/2" statute clearance, mounted with stainless steel bolts and secured from the rear with 3" x 3" x 11 gauge metal mounting plate,
- 2) Factory installed 32" x 21" white padded fold up seat,
- 3) Smooth back wall, with no diamond pattern
- 4) Molded recessed receiver flange on both sides and across the top,
- 5) Molded shelf on back wall,
- 6) One inch diameter stainless steel curtain rod,
- 7) 3/4" Threshold.

NOTE: EACH SIDE WALL CONTAINS A FEATURE LINE FROM 30" TO 32" HORIZONTAL. THIS FEATURE LINE OFFSETS 3/8" FROM THE SIDE WALL. IN PLUMBING PLANS ENSURE THIS WILL NOT INTERFERE WITH VALVE AND PLUMBING PLACEMENT.

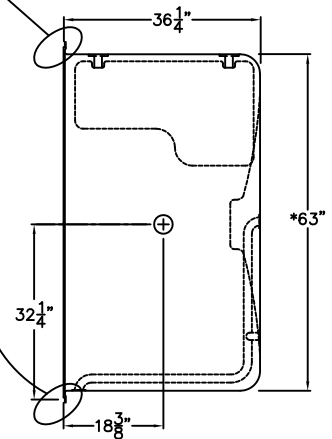
Available options: 1) Green anti-bacterial curtain with hooks, 2) White weighted shower curtain with hooks, 3) Molded seat, 4) Valve package includes: valve, hand held shower set with swivel connector, 60" flex hose, 30" slide bar, vacuum breaker, wall water outlet fitting.

THIS UNIT FEATURES THE OUTSIDE DIMENSIONS OF 64 1/2" OF OVERALL WIDTH. THIS DOES NOT ALLOW FOR FULL ENCLOSURE OF THE BOLTS THAT ARE USED TO SECURE THE BARS AND SEAT IN PLACE. THE BOLT AND NUT COMBINATION SHOULD NOT PROTRUDE ANY MORE THAN 3/4" ON EITHER SIDE OF THE SHOWER WALLS. THIS MAY REQUIRE THE NEED TO NOTCH STUDS TO ALLOW BOLT CLEARANCE FOR INSTALLATION.

FOR A DRY WALL ENCLOSED FIRE WALL INSTALLATION, ADJUSTMENT OF THE WALLBOARD MAY BE NECESSARY TO PROVIDE CLEARANCE OF THE BOLT(S) WHILE MAINTAINING THE INTEGRITY OF THE DRYWALL ENCLOSED FIRE WALL ENCLOSURE.

NOTE: THIS UNIT WILL NOT ACCEPT A DOOR!

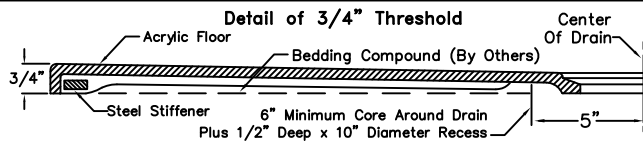
TOP VIEW



ROUGH IN DIMENSIONS: 64 1/2" x 36 1/4" x 82 3/4"

* NOTE: THIS DIMENSION IS NOT TO SCALE. THIS DIMENSION INCLUDES NUTS/BOLTS, WOOD AND HARDWARE REQUIRED FOR ASSEMBLY.

DUE TO THE NATURE OF THE MATERIALS INVOLVED, UNIT DIMENSIONS MAY VARY ± 1/2 INCH.



HAMILTON

Approved By Print Name:

Drawing#: A 6436 IBS .75 Package 1 MAS

Approved By Signature:

Date Approved:

Date: 5-1-07

Revised: 4-30-15

Rep.:

Wholesaler:

Quote No.:

PRAXIS INDUSTRIES, LLC.
435 INDUSTRIAL RD - SAVANNAH, TN 38372
1 (800) 443-7269 - FAX (731) 925-4290