



# Accessible Showers

OPEN TOP GELCOAT OR SOLID SURFACE

## G 3636 SH

OD: 36" x 36" x 77.25"

Weight: 150

Load Factor: 1.06

Handed By: Valve Wall L/R

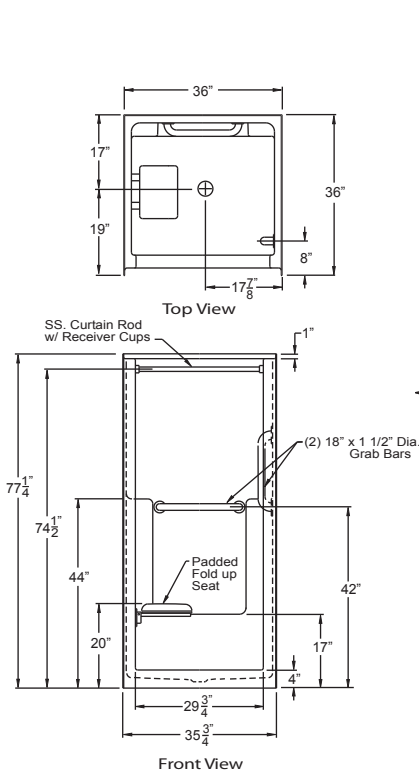
This unit complies with ANSI Z124.2, ASTM F462, ASTM E84, SBCCI, NAHB.

Warranty: Gelcoat models have a 3 year limited warranty. Acrylic models have a 5 year limited warranty. Pumps, parts, and accessories 1 year limited warranty. For further details please refer to the complete warranty section.

Due to the nature of the materials, dimensions may vary +/- 1/2".



Photograph Illustrates Package One - Handed by Valve Wall Left



### FRAMING DIMENSIONS

A	B	C	D
36.25"	36"	18"	17"

Refer to pages 47 & 48 to view corresponding framing detail.

## PKG ONE - ACCESSIBLE: G 3636 SH

- 4" Threshold
- Handed by Valve Wall L/R
- Shim
- White Polyester Gelcoat Finish

### Factory Installed Accessories (Valve not included):

- S-Bar - 18" x 1.5" Smooth SS
- S-Bar - 18" x 1.5" Smooth SS
- 16" x 14.5" White HDPE Fold-Up Seat
- 1" OD 18 Gauge SS Curtain Rod with Rod Cups

This unit is designed to accommodate special needs of accessibility for many commercial or residential applications.

## BUILD TO ORDER BASE PLUS ACCESSORIES

### BASE UNIT 1: G 3636 SH

- Specify Threshold Height
- Handed by Valve Wall L/R
- Shim
- Reinforced for Standard Accessories

## BASE UNIT OPTIONAL ACCESSORIES

### Standard Finish - Polyester Gelcoat:

- White
- Bone
- Biscuit

### Premium Finish - CenturyStone™ Solid Surface:

- Solid - White, Bone or Biscuit
- Natural - Granite Finishes

### Grab Bars

- S-Bar - 18" x 1.5" Smooth SS
- S-Bar - 18" x 1.25" Smooth White CC
- S-Bar - 18" x 1.25" Peened SS

### Standard Seats (Frame Style)

- 16" x 14.5" White Padded Fold-Up Seat

### Factory Modifications

- Valve Drilling - Specify Hole Size
- Nurse Call Box Drilling - Specify Location
- Wood Reinforcement for HUD
- Full Wood Reinforcement
- ArmorShield P3 Protection
- Install 30" Slide Bar / HS Kit
- Install SS Soap Dish - Recessed
- Install Standard Symmons Valve Package
- 1" OD 18 Gauge SS Curtain Rod with Rod Cups
- 1" OD 18 Gauge White Curtain Rod with Rod Cups
- Curtain Rod U-Cup Holder - Pair

### Field Installed Accessories (Shipped Loose)

- No Caulk Drain - Chrome
- Curtain - Premium 42" x 72" White Nylon Weighted
- Curtain - Heavy Duty 42" x 72" White Vinyl Weighted

rev. 022811



HDPE (high density polyethylene) seats used by Praxis Companies, LLC contain recycled materials.