

# Commercial Showers & Tub Showers

## 40" Gelcoat Remodel Shower



Hamilton  
BATHWARE

### MAS Transfer Showers SECTIONAL GELCOAT

**712B** - NO MODIFICATIONS TO PACKAGES. FOR BUILT TO ORDER UNIT, SELECT BASE UNIT AND ACCESSORIES.

<b>PKG ONE-MAS: G 3637 IBS 3P MAS</b>		<b>List: \$1930</b>
.5" NO RECESS BF THRESHOLD	MUDSET	
Handed by Valve Wall L/R	WHITE POLYESTER GELCOAT FINISH	
Factory Installed Accessories (VALVE/SHOWER KIT NOT INCLUDED IN PKG1)		
L-BAR	33.5" X 20" X 1.25" PEENED SS	
SEAT	32" X 21" FRAMELESS WHITE PADDED FOLD UP	
LOOSE	SELF-LOCKING PUSH PINS	

FOR MAS COMPLIANCE INSTALLED ACCESSORIES MUST INCLUDE PEENED OR TEXTURED L-BAR, PADDED L-SEAT, PRESSURE BALANCING MIXING VALVE, HAND HELD SHOWER WITH SLIDE BAR, VACUUM BREAKER AND 60" HOSE. UNIT AND ACCESSORIES INSTALLED PER MAS & PRAXIS INSTALLATION & WARRANTY GUIDELINES.

### BUILD TO ORDER BASE PLUS ACCESSORIES

<b>BASE UNIT 1: G 3637 I 3P MAS</b>		<b>List: \$951</b>
SPECIFY THRESHOLD HEIGHT	MUDSET	
Handed by Valve Wall L/R		
Reinforced for Standard Accessories		
LOOSE	SELF-LOCKING PUSH PINS	

### BASE UNIT OPTIONAL ACCESSORIES

<b>FINISHES</b>		<b>List: \$</b>
STANDARD FINISH- POLYESTER GELCOAT FINISH: WHITE, BONE, BISCUIT		\$0

<b>GRAB BARS</b>		
L-BAR	33.5" X 20" X 1.25" PEENED SS	\$232
L-BAR	33.5" X 20" X 1.25" TEXTURED WHITE	\$290

<b>INSIDE CURTAIN LINE SEATS (REVISED ADA-ABA 2004)</b>		
SEAT	32" X 21" FRAMELESS WHITE PADDED FOLD UP	\$747
SEAT	32" X 14.5" WHITE PADDED W/LEGS (Bariatrics)	\$1281

<b>FACTORY MODIFICATIONS</b>		
MOD	VALVE DRILLING - SPECIFY HOLE SIZE	\$56
MOD	.5" NO RECESS BF THRESHOLD	\$111
MOD	INSTALL STANDARD SYMMONS VALVE PACKAGE	\$633
MOD	INSTALL HANS GROHE THERMOSTATIC VALVE PACKAGE (XLT)	\$501
MOD	INSTALL POWERS VALVE PACKAGE (XLT)	\$656
MOD	INSTALL 30" SLIDE BAR / HS KIT	\$411

<b>CURTAIN RODS</b>		
ROD	CURTAIN ROD U CUP HOLDER PAIR	\$14
ROD	1" OD 20 GAUGE SS	\$71
ROD	1" OD 20 GAUGE WHITE	\$138

<b>FIELD INSTALLED ACCESSORIES</b>		
LOOSE	CURTAIN PREMIUM 42" X 72" WHITE NYLON WTD	\$118
LOOSE	TUBGUARD P3 PRO FIELD INST 36" ADA	\$74

ADDITIONAL ACCESSORIES AND SERVICES MAY BE AVAILABLE UPON REQUEST

\*UNIT IS NOT AVAILABLE IN NORTHEAST MARKET. SEE COMPARABLE UNIT G 3636 IBS 3P MAS.



### G 3637 IBS 3P MAS

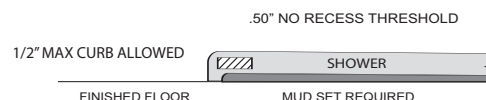
PHOTOGRAPH AT LEFT ILLUSTRATES PACKAGE ONE (HANDED BY VALVE WALL RIGHT)

**Sanitary Grade Polyester Gelcoat  
Three Year Warranty**

#### Primary Applications:

- Healthcare
- College Dormitory
- Hospitality
- Assisted Living

#### MAS Transfer Shower Threshold Requirements:



**712B** rev. 09/25/07

### G 3637 I 3P MAS

OD: 40.25" x 39.5" x 77.25"

ID: 36" x 36" CENTER POINT

WEIGHT: 165

LOAD FACTOR: 1.06

**HANDED BY: VALVE WALL L/R**

Special Notes: This unit complies with MAS, ANSI Z124.2, NAHB, UPC, ASTM F462, ASTM E84.

Warranty: Gelcoat models have a 3 year limited warranty. Acrylic models have a 5 year limited warranty. Pumps, parts, and accessories 1 year limited warranty. For further details please refer to the complete warranty section.

Due to the nature of the materials, dimensions may vary +/- 1/2".

DRAWING REQUEST MUST BE MADE FOR PACKAGE 2 DRAWING AND BUILT TO ORDER UNITS.

### Hamilton Bathware/Praxis Companies, LLC.

435 Industrial Road, Savannah • Tennessee 38372 • Customer Service: 800.326.5489 • Fax: 888.246.0466 • www.hamiltonbathware.com



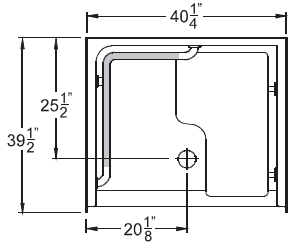
**Product Availability  
Hamilton Northeast  
NA-NOT AVAILABLE**

**Product Availability  
Hamilton Mid-America  
XLT-EXTENDED LEADTIME**

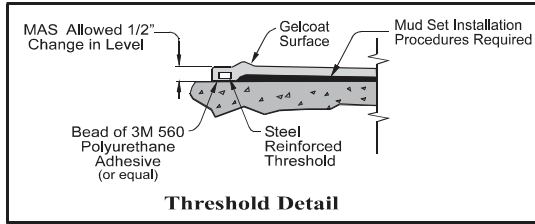
**Product Availability  
Hamilton South  
STD-STANDARD LEADTIME**

# PACKAGE ONE - MAS G 3637 IBS 3P MAS

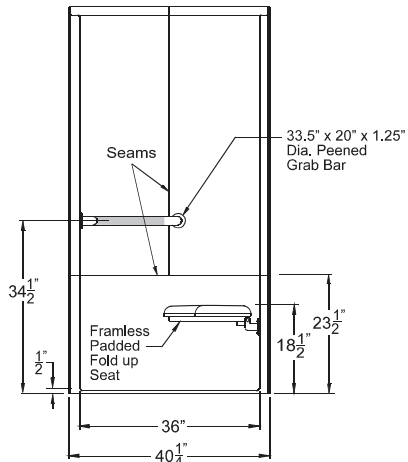
No modifications accepted (Packaged units only)



Top View

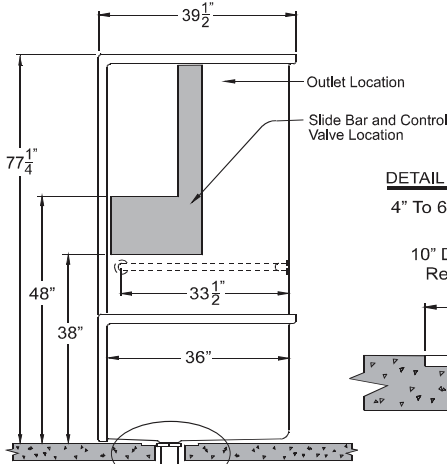


Threshold Detail



Front View

NOTE: Due to the nature of the materials, dimension may vary  $\pm 1/2$ ".



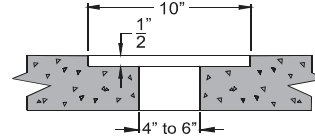
Side View

NOTE: Back wall grab bar must be un-bolted during shower installation.

### DETAIL OF DRAIN CORE AREA

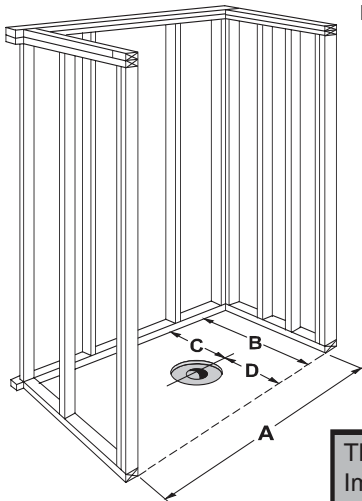
4" To 6" Diameter Drain Core Through Slab.

10" Diameter x 1/2" Deep Recess Around Core



## MAS COMPLIANCE REQUIREMENTS

For MAS compliance Installed accessories must include: peened L-grab bar, padded L-shaped fold up seat, pressure balancing mixing valve, hand held shower with 30" slide bar, vacuum breaker and 60" hose. Unit and accessories must be installed per MAS and Praxis guidelines.



### FRAMING DIMENSIONS

A	B	C	D
40 1/2"	39 1/2"	25 1/2"	14"

10" Diameter x 1/2" Deep Recess Around Drain Core

### STANDARD FEATURES

- High gloss gelcoat finish
- Low threshold entry
- Three piece design
- White padded fold up seat
- Stainless steel grab bar

### STANDARD CODES

- ANSI Z124.2
- ASTM F463
- ASTM E84
- SBCCI
- NAHB
- UPC

### MASSACHUSETTS ARCHITECTURAL ACCESS BOARD

MAS

(when fully equipped)  
Unit configured with standard features, pressure balanced control valve and hand held shower package.

Confirm any requested loose accessories desired by circling the items on page one. Submittal drawing required for Prepackaged model. **NO MODIFICATIONS ACCEPTED.** All built to order model configurations and submittal drawings must be ordered.

UPC/SKU NUMBERS Left Hand Valve: \_\_\_\_\_ Right Hand Valve: \_\_\_\_\_

This model included in the **PRAXIS QUALITY INSTALLATION ASSURANCE PROGRAM.** Important installation procedures **MUST** be followed for the fixture to be granted a warranty.

**ATTENTION PLUMBING CONTRACTOR!!!** THIS ORDER WILL NOT BE PROCESSED UNLESS THIS DOCUMENT IS SIGNED, DATED AND A CONTACT PHONE NUMBER OF THE PLUMBING CONTRACTOR IS PROVIDED. FOR ORDERS OF FOUR OR MORE UNITS, PARTICIPATION IN THE PRAXIS QUALITY INSTALLATION ASSURANCE PROGRAM IS MANDATORY FOR ACTIVATION OF PRODUCT WARRANTY.

Signed:  Date:  Contact Phone Number:

Praxis Quality Installation Assurance Program Information: Phone: (800)-759-7744 ext: 29.

Customer Service: (800)-443-7269 Fax: (731)-925-0379