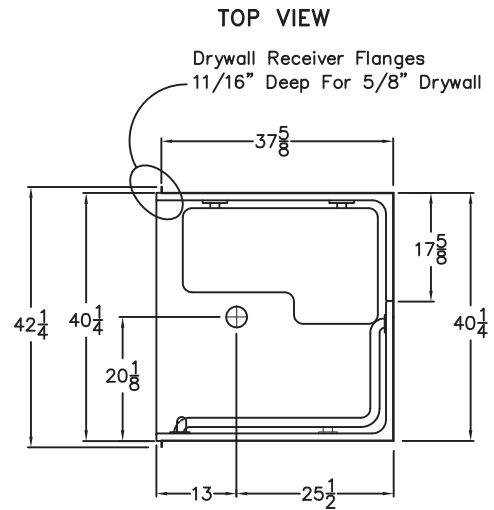
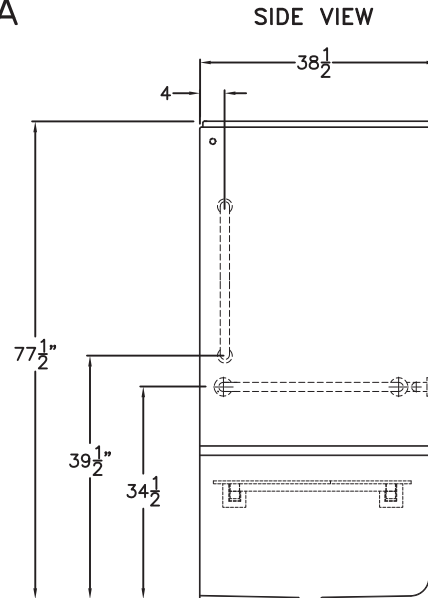
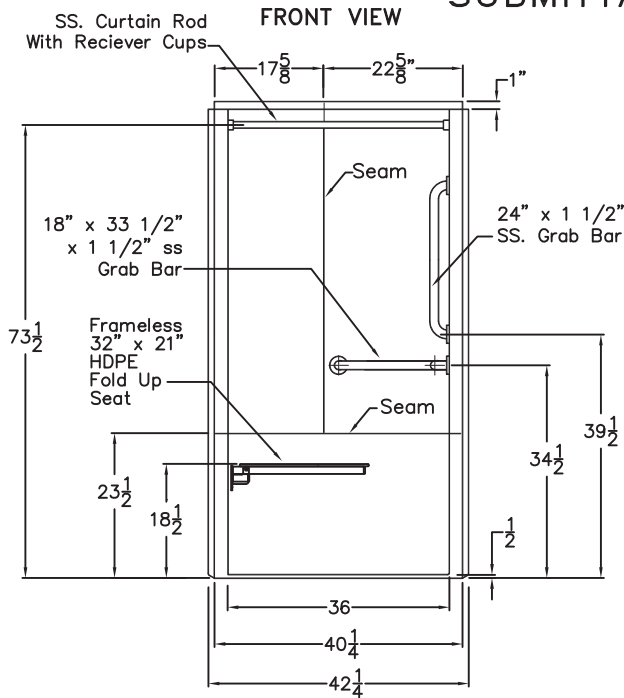


Special Needs Series

SUBMITTAL DATA



Transfer Shower Stall

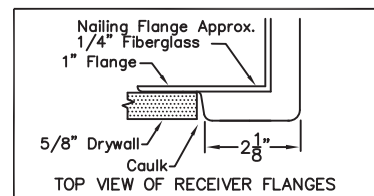
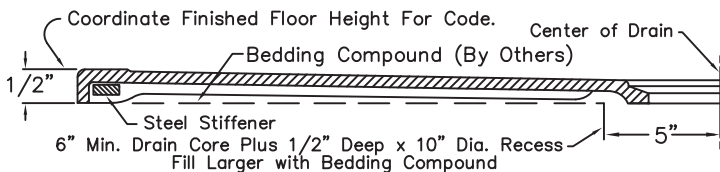
The enclosure shall be Hamilton Model G 3637 IBS three piece right or left. The finished surface shall be of a finished surface polyester Gelcoat exhibiting a minimal thickness of 15 dry mils, and a finished cured Barcoal hardness of 80-90 as tested with ASTM D-2583.

Unit construction shall be of molded reinforced fiberglass with a minimum fiberglass content of 15%. The unit shall have the outside dimensions of 40 1/4\" x 38 1/2\" x 77 1/2\". The base shall be attached to the sump of the unit in such a manner to form an integral part with an inner and outer coating of reinforced polyester resin. The unit shall meet ANSI Z124.2, ADA, ANSI A117.1, Home Innovation Research Lab, UPC, complies with CSA, and meets the requirements of the Southern Building Code.

- The enclosure shall be equipped with the following installed accessories:
- 1) one 18\" x 33 1/2\" x 1 1/2\" diameter 18 gauge stainless steel L-Grab Bar,
 - 2) one 24\" x 1 1/2\" diameter 18 gauge stainless steel grab bar, vertical on the valve wall, both with 1 1/2\" statute clearance, secured from the rear with stainless steel bolts and 3\" x 3\" x 11 gauge mounting plates,
 - 3) frameless white 32\" x 21\" HDPE fold up seat,
 - 4) one inch diameter, 18 gauge stainless steel curtain rod with receiver cups,
 - 5) three piece sectional design,
 - 6) drywall receiver flanges both sides,
 - 7) 1/2\" Threshold.

- Available options:
- 1) Green anti-bacterial shower curtain and hooks,
 - 2) White shower curtain and hooks.
 - 3) Valve Package includes: Hand held shower set with swivel connector, 60\" flex hose, 30\" slide bar, vacuum breaker, wall water outlet fitting, and control valve,
 - 4) Easy Base.

Detail of 1/2\" Threshold



DUE TO THE NATURE OF THE MATERIALS DIMENSIONS MAY VARY ± 1/2\"

HAMILTON

Approved By Print Name:

Drawing#: G3637 IBS 3P .50 Package 1
RRF ADA

Approved By Signature:

Date Approved:

Date: 5-18-07

Revised: 1-21-14

Rep.:

Wholesaler:

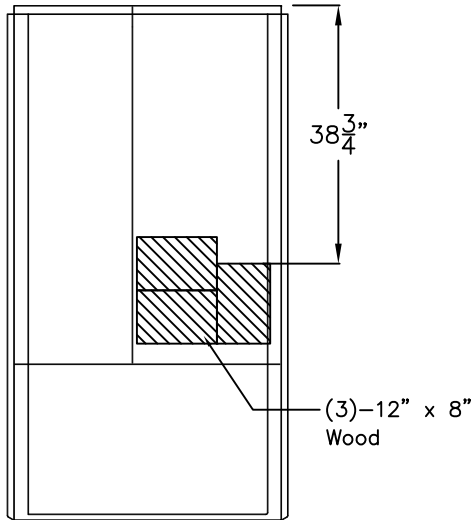
Quote No.:

PRAXIS INDUSTRIES, INC.
435 INDUSTRIAL RD - SAVANNAH, TN 38372
1 (800) 443-7269 - FAX (901) 925-4290

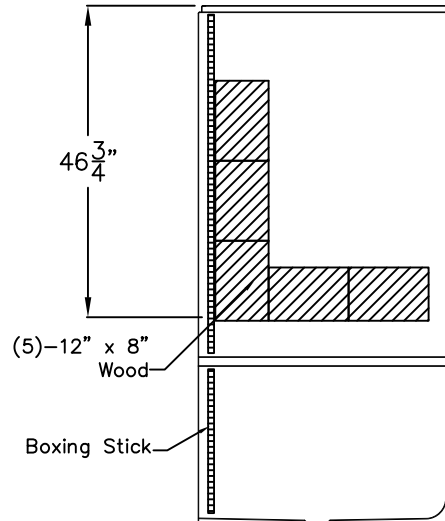
Board Placement

SUBMITTAL DATA

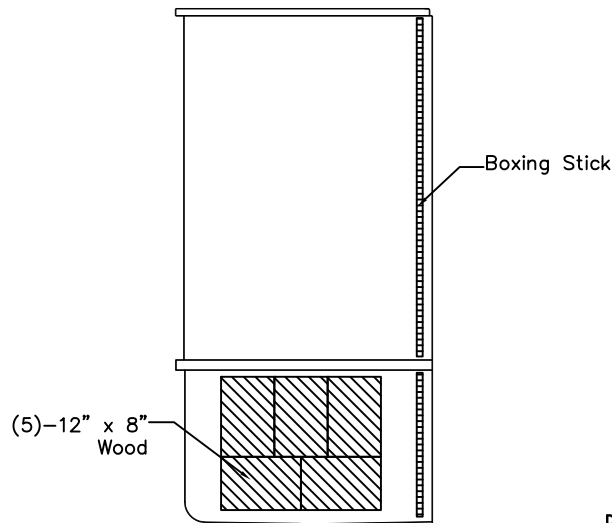
FRONT VIEW



SIDE VIEW



SIDE VIEW



DUE TO THE NATURE OF THE MATERIALS
DIMENSIONS MAY VARY ± 1/2"

Job Name:	HAMILTON
Model No.:	Drawing#: G3637 IBS 3P .50 Package 1 ADA-BP
Approved by:	Date Approved: Date: 7-31-96 Revised: 1-21-14
Rep.:	Wholesaler: Quote No.:

PRAXIS INDUSTRIES, LLC.
435 INDUSTRIAL RD - SAVANNAH, TN 38372
1 (800) 443-7269 - FAX (731) 925-4290