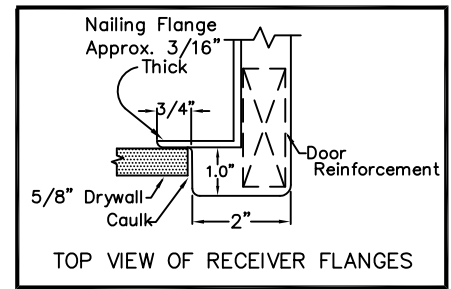
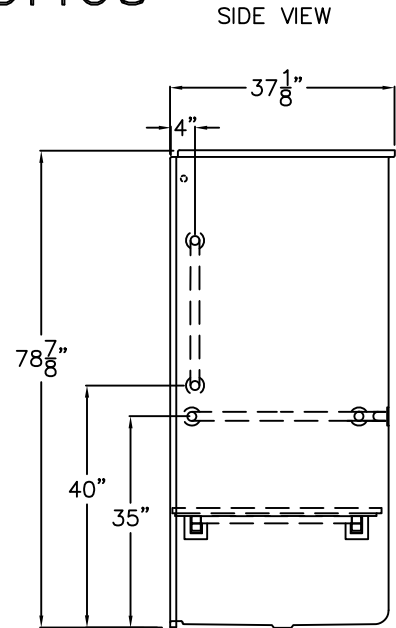
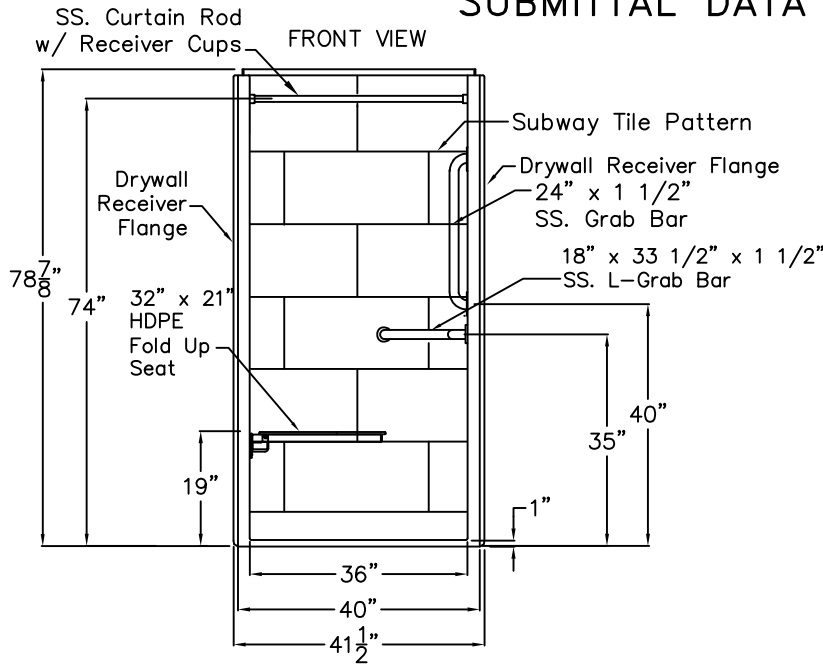


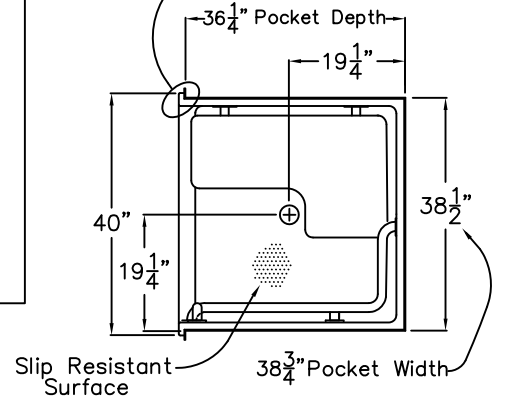
# Special Needs Series

## SUBMITTAL DATA



TOP VIEW

Recessed Receiver Flange Both Sides



DUE TO THE NATURE OF THE MATERIALS DIMENSIONS MAY VARY ± 1/2"

### Transfer Shower Stall

The shower enclosure shall be Hamilton Model G 3838 IBS 1.0 right or left. Finished surface shall be of a sanitary-grade polyester Gelcoat exhibiting a minimal thickness of 15 dry mills and a finished cured Barcol hardness of 80-90 as tested with ASTM D-2583. Unit construction shall be of molded reinforced fiberglass with a 15% minimum fiberglass content. The unit shall have outside dimensions of 38" x 41 1/2" x 77 7/8". The base shall be attached to the sump of the unit in such a manner to form an integral part with an inner and outer coating of reinforced polyester resin. The unit shall meet ANSI A117.1, IAPMOZ124, CSA B45.5, ADA, HUD, BOCA, Home Innovation Research Lab, UPC, and shall meet the requirements of the Southern Building Code.

The enclosure shall be equipped with the following installed accessories:

- 1) One 18" x 33 1/2" x 1 1/2" diameter stainless steel horizontal L-grab bar,
- 2) One 24" x 1 1/2" diameter stainless steel vertical grab bar on the valve wall, both with 1 1/2" statute clearance, mounted with stainless steel bolts, and secured from the rear with 3" x 3" x 11 gauge metal mounting plates,
- 3) 32" x 21" frameless white HDPE fold up seat,
- 4) Subway tile finish,
- 5) One inch diameter 18 gauge stainless steel curtain rod with receiver cups,
- 6) 1" threshold.

Available Options:

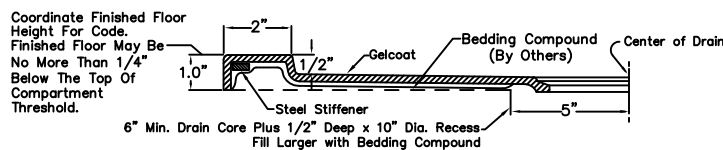
- 1) Green shower curtain, anti-bacterial, and hooks,
- 2) White shower curtain with hooks,
- 3) Valve Package,
- 4) Easy Base.

THIS UNIT FEATURES THE OUTSIDE DIMENSIONS OF 38" OF OVERALL WIDTH. THIS DOES NOT ALLOW FOR FULL ENCLOSURE OF THE BOLTS THAT ARE USED TO SECURE THE BARS AND SEAT IN PLACE. THE BOLT AND NUT COMBINATION SHOULD NOT PROTRUDE ANY MORE THAN 3/4" ON EITHER SIDE.

THIS SHOULD NOT CREATE ANY TYPE OF INSTALLATION PROBLEMS EXCEPT FOR A DRY WALL ENCLOSED FIRE WALL INSTALLATION AREA THAT WOULD NOT ALLOW FOR ANY VARIATIONS. IN A STANDARD STUD/ OPENING INSTALLATION THE EXTENSION OF THE HARDWARE SHOULD NOT CAUSE ANY TYPE OF PROBLEM.

NOTE: THIS UNIT WILL NOT ACCEPT A DOOR!

#### Standard 1.0" Threshold



### HAMILTON

Approved by Print Name:

Drawing#: G3838 IBS Tile 1.0 RRF SLB VB  
FHDP CR

Approved by Signature:

Date:

Date: 7-14-99

Revised: 3-7-16

Rep.:

Wholesaler:

Quote No.:

PRAXIS INDUSTRIES, LLC.

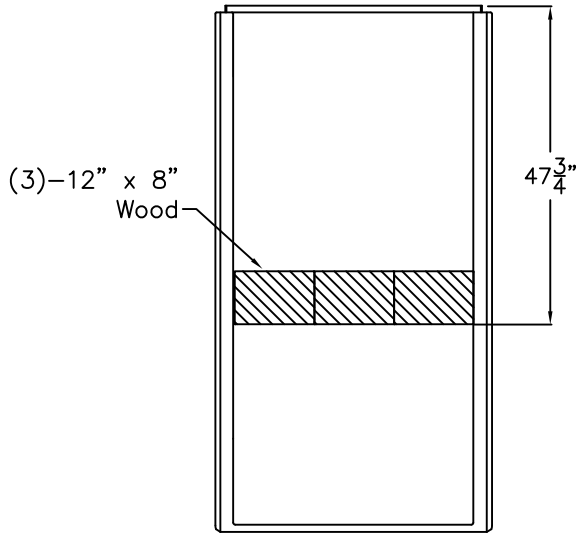
435 INDUSTRIAL ROAD- SAVANNAH, TN 38372

1 (800) 443-7269 - FAX (731) 925-4290

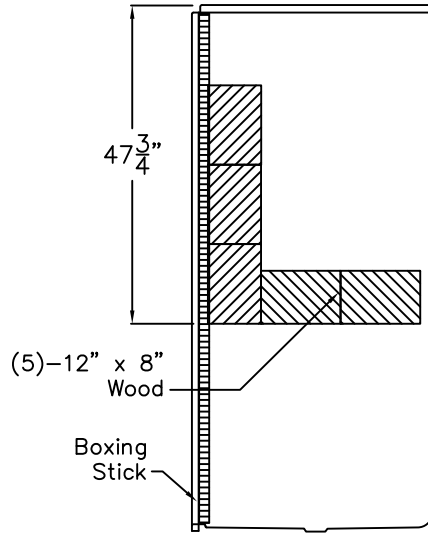
# Board Placement Drawing

## SUBMITTAL DATA

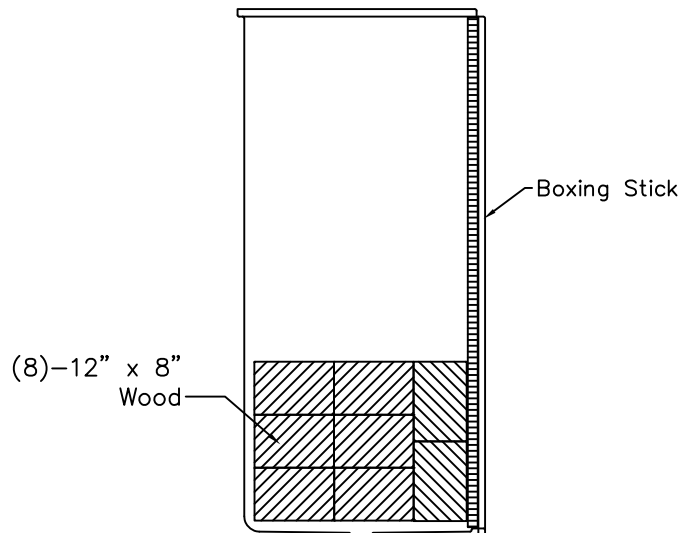
FRONT VIEW



SIDE VIEW



SIDE VIEW



DUE TO THE NATURE OF THE MATERIALS  
DIMENSIONS MAY VARY ± 1/2"

Job Name:	HAMILTON
Approved by Print Name:	Drawing#: G3838 IBS Tile 1.0 RRF SLB VB FHDP CR-BP
Approved by Signature:	Date: 7-14-99      Revised: 3-7-16
Rep.:	Quote No.:

PRAXIS INDUSTRIES, LLC.  
435 INDUSTRIAL ROAD- SAVANNAH, TN 38372  
1 (800) 443-7269 - FAX (731) 925-4290