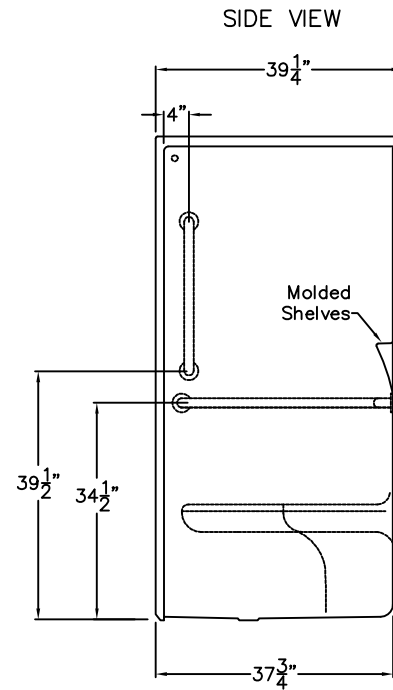
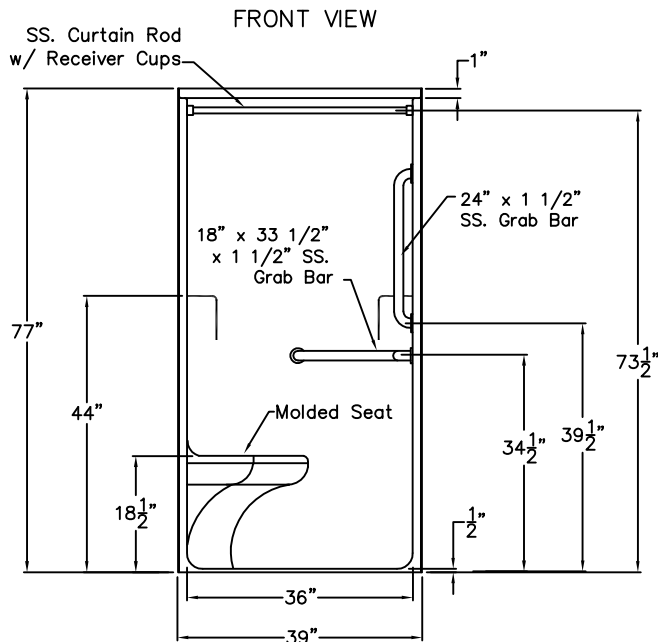


Special Needs Series

SUBMITTAL DATA



Accessible Shower Stall

The shower enclosure shall be Hamilton model G 3600 IBS right or left. Finished surface shall be a sanitary grade applied acrylic. The unit shall have outside dimensions of 39" x 39 1/4" x 77". The base shall be attached to the sump of the unit in such a manner to form an integral part with an inner and outer coating of reinforced polyester resin. The unit shall meet UPC, CAS B45.5, HUD-UM73, and Home Innovation Research Lab.

NOTE: DUE TO SIZE OF SEAT, UNIT DOES NOT COMPLY WITH ADA OR ANSI A117.1 GUIDELINES.

The enclosure shall be equipped with the following installed accessories:

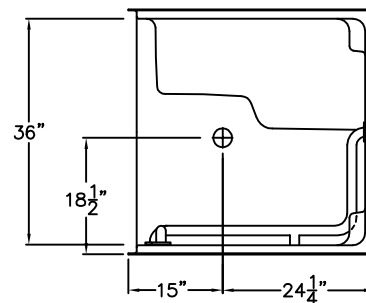
- 1) One 18" x 33 1/2" x 1 1/2" diameter, 18 gauge stainless steel L-grab bar,
- 2) One 24" x 1 1/2" diameter, 18 gauge stainless steel grab bar vertical on the valve wall, both with 1 1/2" statute clearance, secured from the rear with stainless steel bolts, and 3" x 3" x 11 gauge metal mounting plates, 3) Molded seat, 4) Molded corner soap dishes, 5) One inch diameter stainless steel curtain rod with receiver cups, 6) 1/2" Threshold.

Available Options: 7) Handheld shower set includes: hand held shower set, swivel connector, 60" flex hose, vacuum breaker, 30" slide bar, wall water outlet fitting, 8) Green anti-bacterial shower curtain and hooks 9) White shower curtain and hooks, 10) Nurses call box drilling, 11) Easy Base.

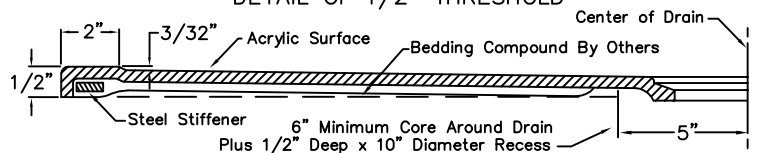
This unit features the outside dimensions of 39" of overall width. This does not allow for full enclosure of the bolts that are used to secure the bars and seat in place. This may require the need to notch studs to allow for bolt clearance for installation. For a dry wall enclosed fire wall installation, adjustment of the wallboard may be necessary to provide clearance of the bolts while maintaining the integrity of the drywall fire wall enclosure.

NOTE: THIS UNIT WILL NOT ACCEPT A DOOR.

TOP VIEW



DETAIL OF 1/2" THRESHOLD



DUE TO THE NATURE OF THE MATERIALS DIMENSIONS MAY VARY ± 1/2"

HAMILTON

Approved By Print Name:

Drawing#: G 3600 IBS .50 Package One

Approved By Signature:

Date:

Date: 1-21-99

Revised: 12-5-16

Rep.:

Wholesaler:

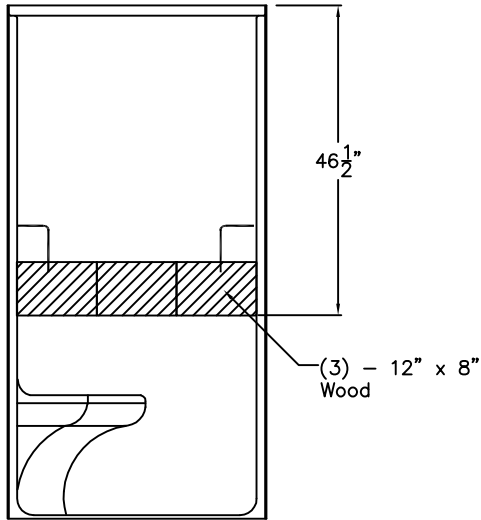
Quote No.:

PRAXIS INDUSTRIES, LLC.
 435 INDUSTRIAL RD - SAVANNAH, TN 38372
 1 (800) 443-7269 - FAX (731) 925-4290

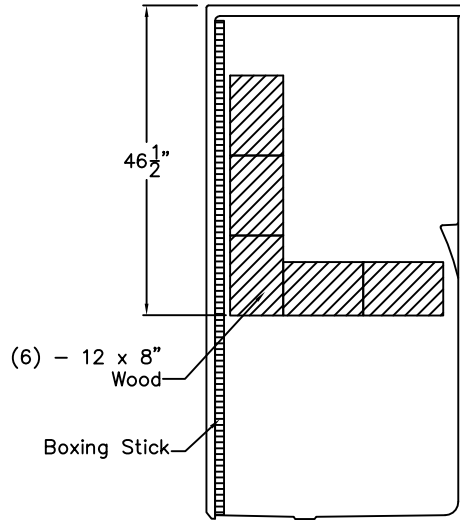
Special Needs Series

SUBMITTAL DATA

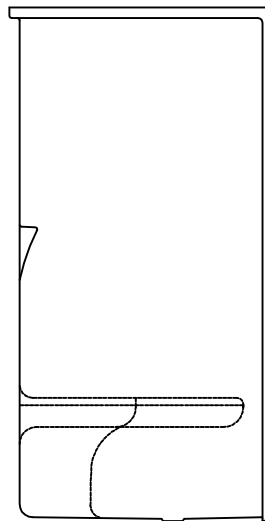
FRONT VIEW



SIDE VIEW



SIDE VIEW



DUE TO THE NATURE OF THE MATERIALS
DIMENSIONS MAY VARY ± 1/2"

Job Name:	HAMILTON
Approved by Print Name:	Drawing#: G 3600 IBS .50 Package One-BP
Approved by Signature:	Date: 1-21-99 Revised: 12-5-16
Rep.:	Quote No.:

PRAXIS INDUSTRIES, LLC.
435 INDUSTRIAL RD - SAVANNAH, TN 38372
1 (800) 443-7269 - FAX (731) 925-4290