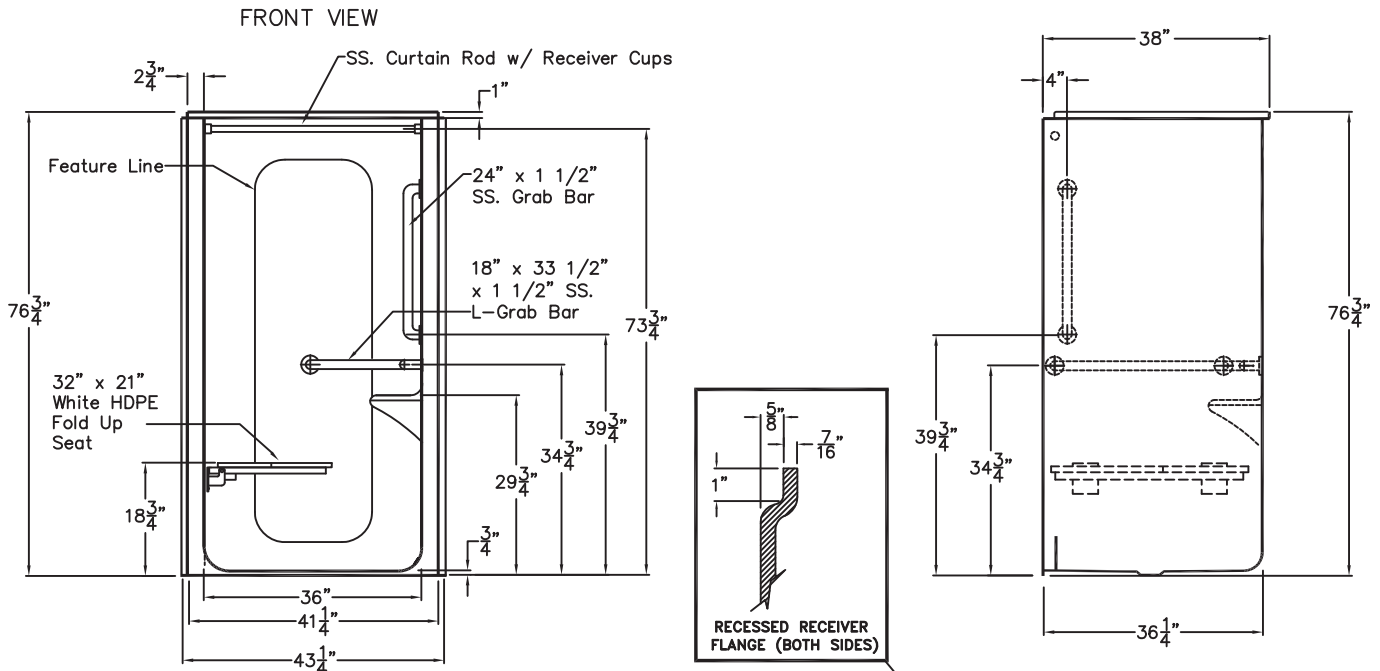


# Special Needs Series

## SUBMITTAL DATA



### Transfer Shower Stall

This shower enclosure shall be Hamilton Model A 4136 OT. The unit shall be molded from a single sheet of acrylic so as not to have any seams or joints. It shall meet ANSI A117.1, IAPMO Z124, CSA B45.5, ADA, FHA, BOCA, Home Innovation Research Lab, UPC, shall have the back side fire rating of "A" and a flame spread of less than 25. Unit shall meet the requirements of most state and national standards on design for the disabled including Southern Building Code. The unit shall have inside dimensions of: 36" x 36" 75", and the outside dimensions of 43 1/4" x 38" x 76 3/4".

The enclosure shall be equipped with the following factory installed accessories:

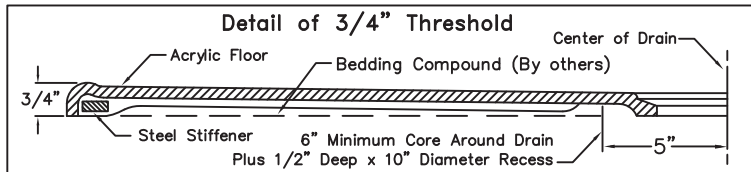
- 1) one 18" x 33 1/2" x 1 1/2" diameter stainless steel L-grab bar,
- 2) one 24" x 1 1/2" diameter stainless steel grab bar mounted vertical on the valve wall, both with 1 1/2" clearance statute, mounted with stainless steel bolts secured from the rear with 3" x 3", 11 gauge metal backing plates,
- 3) factory installed 32" x 21" white frameless HDPE fold up seat, 4) molded accessory shelf, 6) No diamond pattern on back wall, 7) 3/4" Threshold, 8) One inch diameter stainless steel curtain rod with receiver cups. 9) Recessed receiver flanges on both sides.

Available options: 1) Green anti-bacterial shower curtain with hooks, 2) white weighted shower curtain with hooks, 3) molded seat, 4) recessed soap dish, 5) nurses call box drilling, 6) Valve Package.

THIS UNIT FEATURES THE OUTSIDE DIMENSIONS OF 39" OF OVERALL WIDTH. THIS DOES NOT ALLOW FOR FULL ENCLOSURE OF THE BOLTS THAT ARE USED TO SECURE THE BARS AND SEAT IN PLACE. THE BOLT AND NUT COMBINATION SHOULD NOT PROTRUDE ANY MORE THAN 3/4" ON EITHER SIDE OF THE SHOWER WALLS. THIS MAY REQUIRE THE NEED TO NOTCH STUDS TO ALLOW BOLT CLEARANCE FOR INSTALLATION.

FOR A DRY WALL ENCLOSED FIRE WALL INSTALLATION, ADJUSTMENT OF THE WALLBOARD MAY BE NECESSARY TO PROVIDE CLEARANCE OF THE BOLT (S) WHILE MAINTAINING THE INTEGRITY OF THE DRYWALL ENCLOSED FIRE WALL ENCLOSURE.

NOTE: THIS UNIT WILL NOT ACCEPT A DOOR!



DUE TO THE NATURE OF THE MATERIALS INVOLVED, UNIT DIMENSIONS MAY VARY ± 1/2 INCH.

## HAMILTON

Approved by Print Name:

Drawing#: A 4136 IBS OT .75 SLB VB  
FHDP CR RRF Smooth

Approved by Signature:

Date Approved:

Date: 7-17-96

Revised: 10-21-15

Rep.:

Wholesaler:

Quote No.:

PRAXIS INDUSTRIES, LLC.  
435 INDUSTRIAL RD - SAVANNAH, TN 38372  
1 (800) 443-7269 - FAX (731) 925-4290