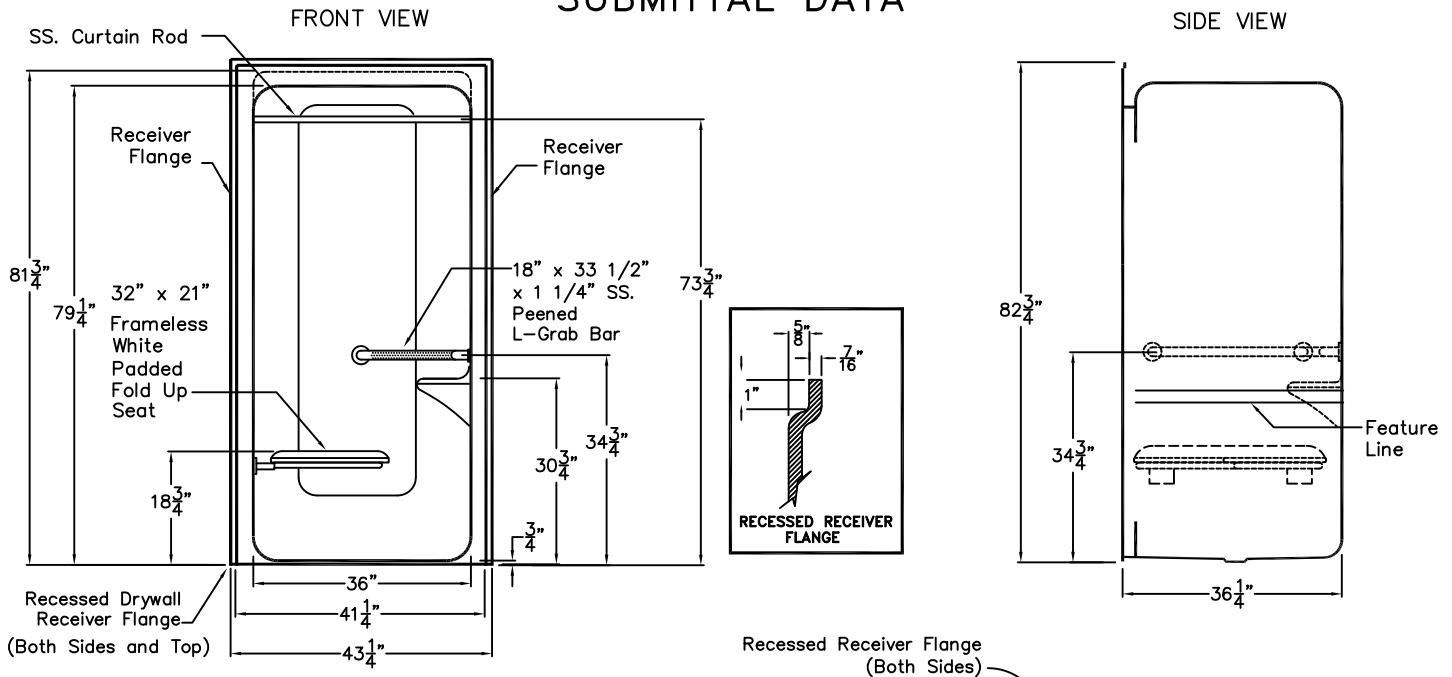


# Special Needs Series

## SUBMITTAL DATA



### Transfer Shower Stall

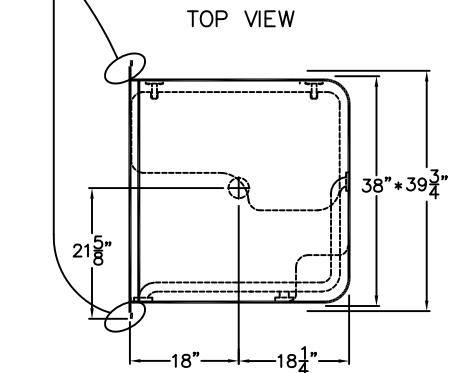
This shower enclosure shall be Hamilton Model A 4136 IBS. The unit shall be molded from a single sheet of acrylic so as not to have any seams or joints. It shall meet ADA, MASS, BOCA, CSA, Home Innovation Research Lab, UPC, shall have the back side fire rating of "A" and a flame spread of less than 25, shall be designed to meet most state and national standards on design for the disabled including the Southern Building Code. The unit shall have inside dimensions of 36" x 36" x 80 1/2" and the outside dimensions of 43 1/4" x 36 1/4" x 82 3/4".

The enclosure shall be equipped with the following factory installed accessories:

- 1) One 18" x 33 1/2" x 1 1/4" diameter stainless steel peened horizontal L-grab bar, with 1 1/2" statute clearance, secured from the rear with stainless steel bolts, and 3" x 3" x 11 gauge metal backing plates,
- 2) One inch diameter, stainless steel curtain rod,
- 3) Frameless white 32" x 21" padded fold up seat,
- 4) Smooth back wall, with no diamond pattern,
- 5) Molded soap ledge,
- 6) Recessed drywall receiver flange on both sides and across the top,
- 7) 3/4" Threshold.

Available options: 1) Molded seat, 2) Green anti-bacterial shower curtain and hooks, 3) White shower curtain and hooks 4) Vertical grab bar, 5) Valve package, 6) Easy Base.

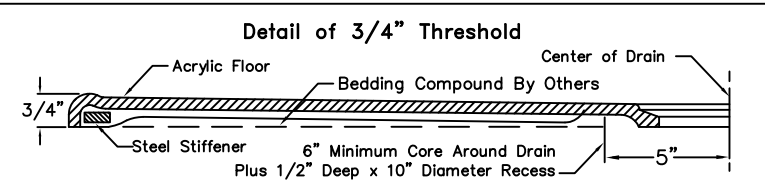
**NOTE: EACH SIDE WALL CONTAINS A FEATURE LINE FROM 30" TO 32" HORIZONTAL. THIS FEATURE LINE OFFSETS 3/8" FROM THE SIDE WALL. IN PLUMBING PLANS ENSURE THIS WILL NOT INTERFERE WITH VALVE AND PLUMBING PLACEMENT.**



ROUGH IN DIMENSIONS FOR UNITS WITHOUT SEAT FEATURED: 38 1/4" x 37 1/4" x 82 3/4"  
 ROUGH IN DIMENSIONS FOR UNITS FEATURING A MOLDED SEAT: 38" x 37 1/4" x 82 3/4"  
 ROUGH IN DIMENSIONS FOR UNITS FEATURING A FOLD UP SEAT: 39 3/4" x 37 1/4" x 82 3/4"

\* NOTE: THIS DIMENSION IS NOT TO SCALE. THIS DIMENSION INCLUDES NUTS/BOLTS, WOOD AND HARDWARE REQUIRED FOR ASSEMBLY. OFFSET THE 39 3/4", 1/2" TOWARDS THE FOLD UP SEAT SIDE TO ALLOW FOR THE BOARD.

DUE TO THE NATURE OF THE MATERIALS INVOLVED, UNIT DIMENSIONS MAY VARY ± 1/2 INCH.



Job Name:

**HAMILTON**

Approved By Print Name:

Drawing#: A4136 IBS .75 Package 1 MAS  
CR RF Smooth

Approved By Signature:

Date Approved:

Date: 6-1-07

Revised: 4-28-15

Rep.:

Wholesaler:

Quote No.:

PRAXIS INDUSTRIES, LLC.  
 435 INDUSTRIAL RD - SAVANNAH, TN 38372  
 1 (800) 443-7269 - FAX (731) 925-4290