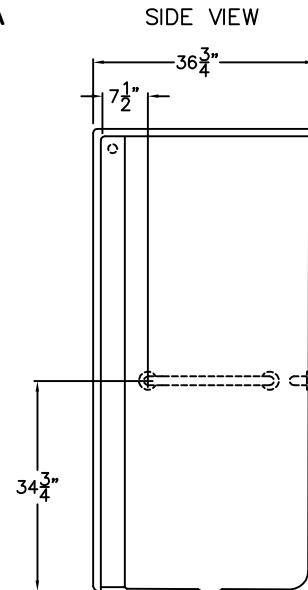
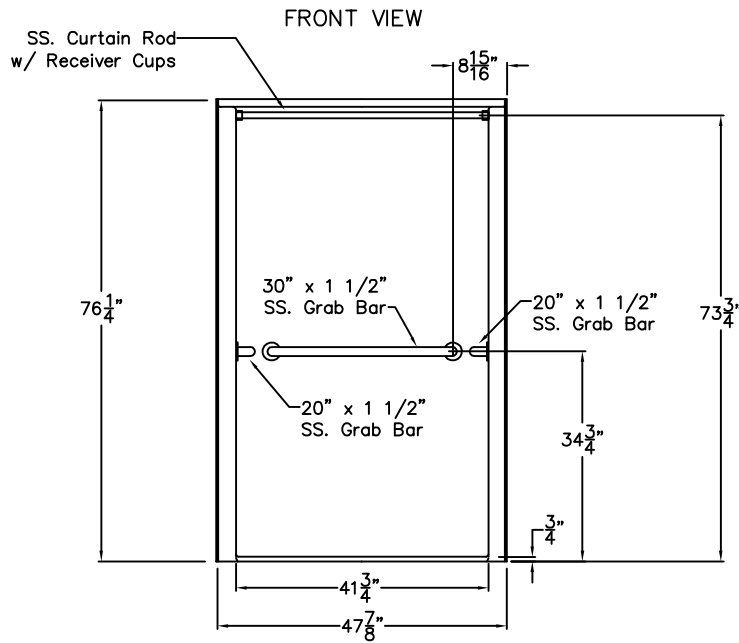


SPECIAL NEEDS SERIES SUBMITTAL DATA



DO NOT ROUGH-IN ON THE VALVE SIDE UNTIL THE UNIT IS RECEIVED AND IN PLACE.

Accessible Shower Stall

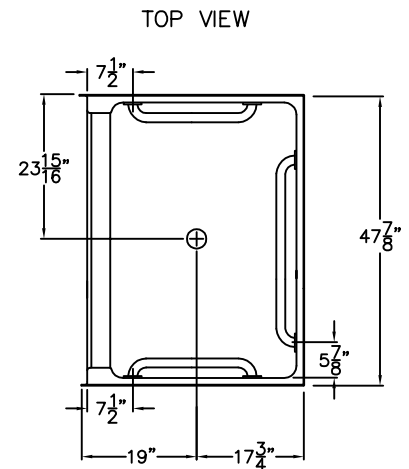
The shower enclosure shall be Aquarius model G 4897 BF right or left. Finished surface shall be of a sanitary grade applied acrylic. The base shall be attached to the sump of the unit in such a manner to form an integral part with an inner and outer coating of polyester resin. The unit shall have outside dimensions of 47 7/8" x 36 3/4" x 76 1/4". Unit complies with UPC, CSA B45.5, HUD-UM73, ANSI Z124.1.2 and Home Innovation Research Lab.

The enclosure shall be equipped with the following installed accessories:

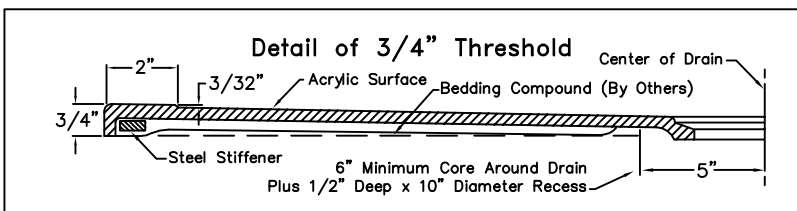
- 1) One 30" x 1 1/2" diameter stainless steel grab bar horizontal on the back wall,
- 2) Two 20" x 1 1/2" diameter stainless steel grab bars, One horizontal on each side wall, all with 1 1/2" statute clearance, mounted from the rear with stainless steel bolts, and 3" x 3" x 11 gauge metal mounting plates,
- 3) One inch diameter stainless steel curtain rod with receiver cups,
- 4) 3/4" Threshold.

Available Options: 5) vertical grab bar, 6) recessed soap dish, 7) Nurses call box drilling, 8) Valve package with hand shower.

NOTE: THIS UNIT WILL NOT ACCEPT A DOOR!



**DUE TO THE NATURE OF THE MATERIALS
DIMENSIONS MAY VARY ± 1/2"**



HAMILTON

Approved By Print Name:

Drawing#: G4897 BF .75 HBW HSW2 CR

Approved By Signature:

Date:

Date: 7-23-96

Revised: 12-6-16

Rep.:

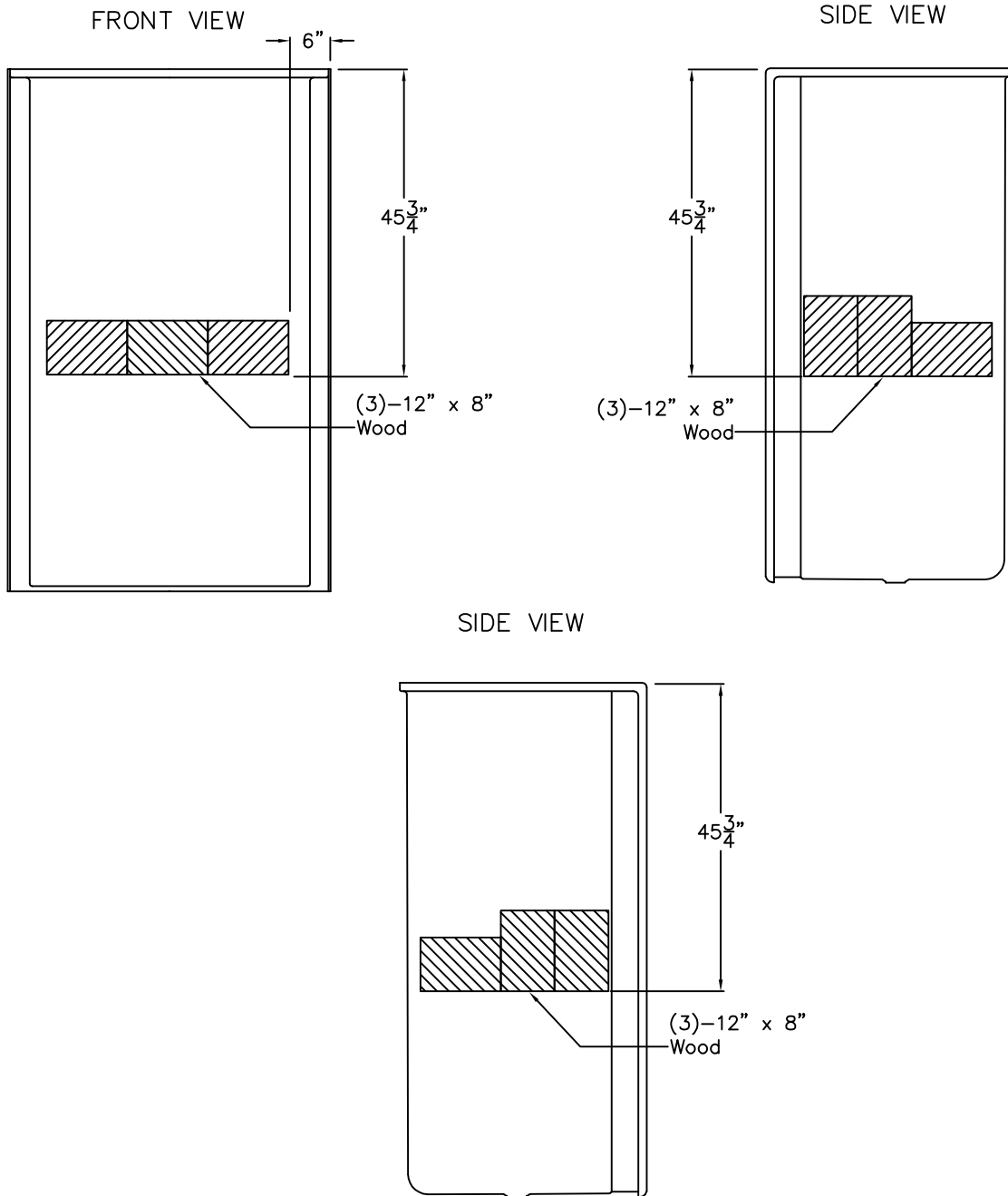
Wholesaler:

Quote No.:

PRAXIS INDUSTRIES, INC.
435 INDUSTRIAL RD - SAVANNAH, TN 38372
1 (800) 443-7269 - FAX (901) 925-4290

Board Placement

SUBMITTAL DATA



DUE TO THE NATURE OF THE MATERIALS
DIMENSIONS MAY VARY ± 1/2"

Job Name:	HAMILTON
Approved by Print Name:	Drawing#: G 4897 IBS .75 HBW HSW2 CR
Approved by Signature:	Date: 5-22-07 Revised: 12-6-16
Rep.:	Quote No.:

PRAXIS INDUSTRIES, LLC.
 435 INDUSTRIAL RD - SAVANNAH, TN 38372
 1 (800) 443-7269 - FAX (731) 925-4290