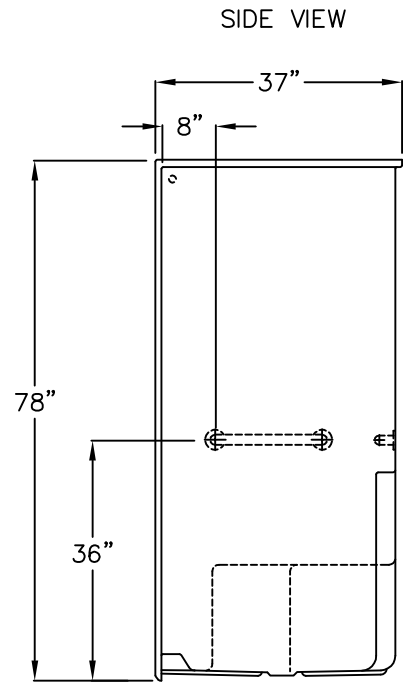
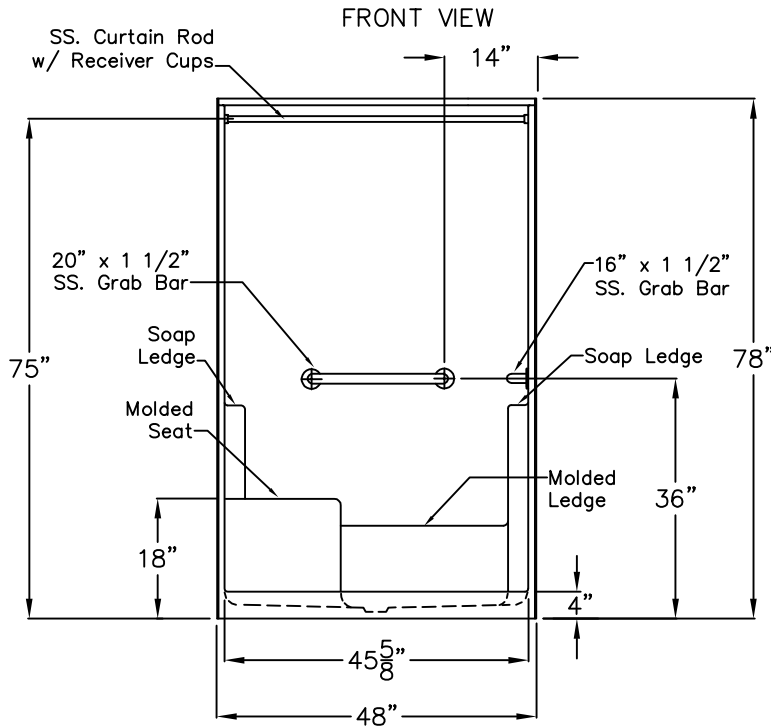


Special Needs Series

SUBMITTAL DATA



Accessible Shower Stall

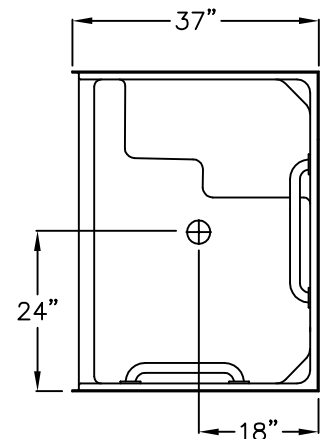
The shower enclosure shall be Hamilton Model G 4837 SH 1S right or left. Finished surface shall be of a sanitary grade applied acrylic. The base shall be attached to the sump of the unit in such a manner to form an integral part with an inner and outer coating of polyester resin. The unit shall have outside dimensions of 48" x 37" x 78". Unit complies with UPC, CSA B45.5, HUD-UM73, ANSI Z124.1.2 and Home Innovation Research Lab.

The enclosure shall be equipped with the following installed accessories:

- 1) One 20" x 1 1/2" diameter stainless steel grab bar horizontal on the back wall,
- 2) One 16" x 1 1/2" diameter stainless steel grab bar horizontal on the valve side wall, both with 1 1/2" statute clearance, mounted from the rear with stainless steel bolts, and 3" x 3" x 11 gauge metal mounting plates,
- 3) One inch diameter stainless steel curtain rod with receiver cups,
- 4) Molded seat,
- 5) Molded ledges,
- 6) 4.0" Threshold.

Available Options: 7) vertical grab bar, 8) recessed soap dish, 9) Nurses call box drilling, 10) Valve package with hand shower.

TOP VIEW

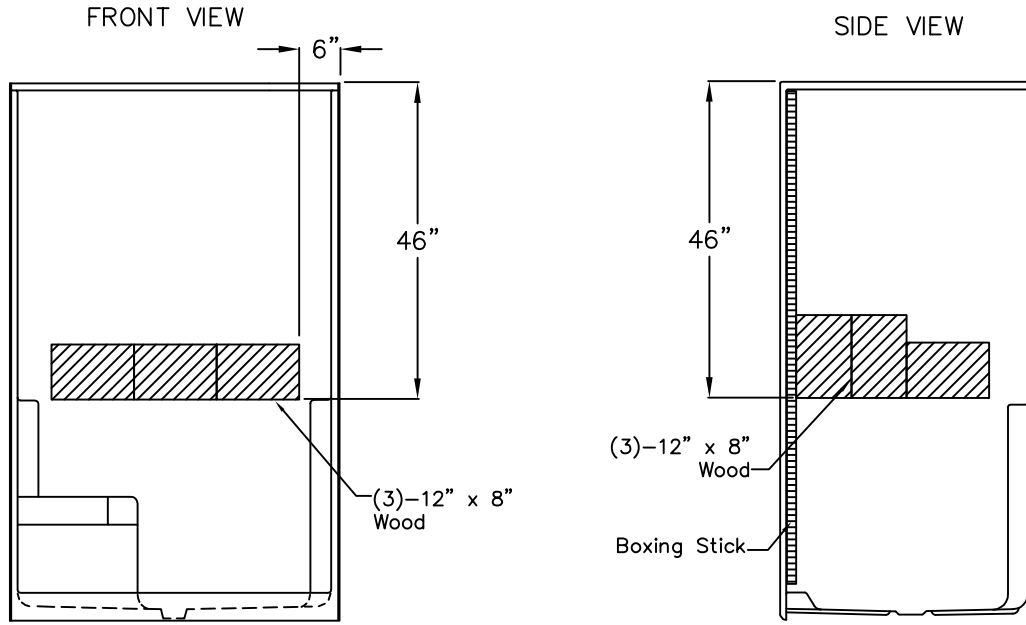


DUE TO THE NATURE OF THE MATERIALS
DIMENSIONS MAY VARY ± 1/2"

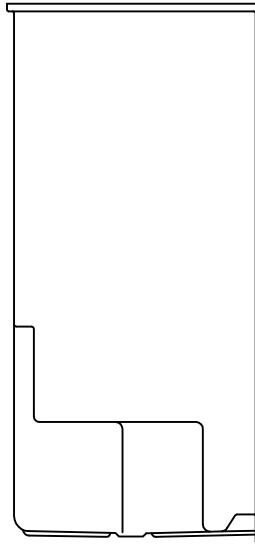
Job Name:	HAMILTON	
Approved By Print Name:	Drawing#: G 4837 SH 1S 4.0 MS HBW HSW CR	
Approved By Signature:	Date:	Date: 4-18-98 Revised: 10-13-16
Rep.:	Wholesaler:	Quote No.:

PRAXIS INDUSTRIES, LLC.
435 INDUSTRIAL RD - SAVANNAH, TN 38372
1 (800) 443-7269 - FAX (731) 925-7656

Board Placement SUBMITTAL DATA



SEAT SIDE VIEW



Job Name:	HAMILTON
Approved by Print Name:	Drawing#: G 4837 SH 1S 4.0 MS HBW HSW CR-BP
Approved by Signature:	Date: 6-9-00 Revised: 12-6-16
Rep.:	Quote No.:

PRAXIS INDUSTRIES, LLC.
 435 INDUSTRIAL RD - SAVANNAH, TN 38372
 1 (800) 443-7269 - FAX (731) 925-4290