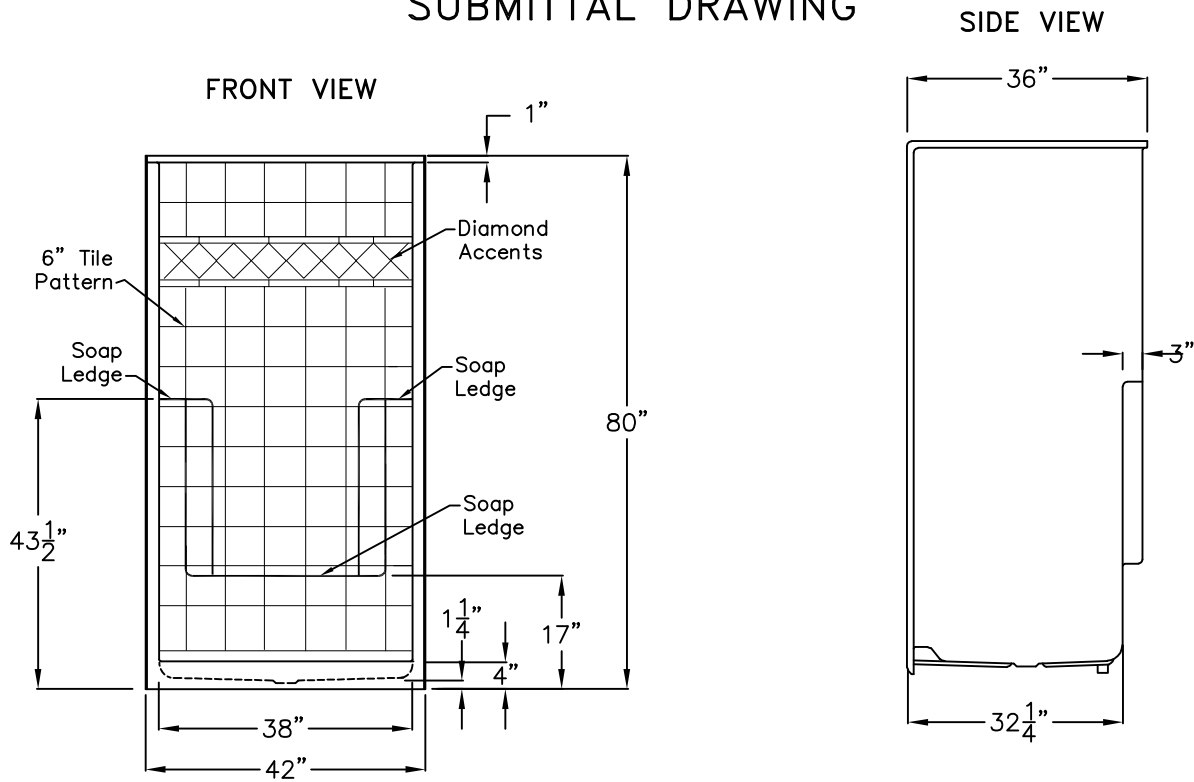
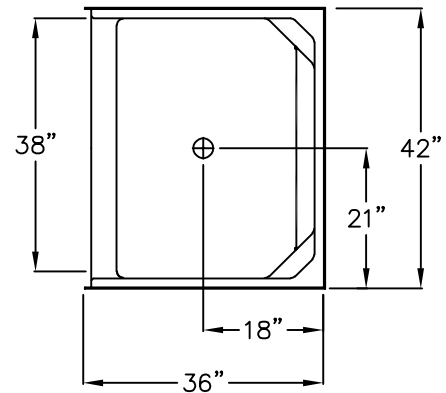


Luxury Acrylic Series

SUBMITTAL DRAWING



TOP VIEW



Simulated Tile Pattern

This shower enclosure shall be Model M 4236 SH Tile center drain. Finished surface shall be of sanitary-grade applied acrylic. The unit shall have outside dimensions of 42" x 36" x 80". The unit shall meet IAPMO Z124-2011, and CSA B45.5-11.

The enclosure shall be equipped with the following factory installed accessories:

- 1) Molded corner soap ledges,
- 2) Molded lower soap ledge,
- 3) Tile pattern,
- 3) Diamond accents,
- 4) 4.0" threshold.

DUE TO THE NATURE OF THE MATERIALS INVOLVED
 UNIT DIMENSIONS MAY VARY ± 1/2 INCH

Job Name:	PRAXIS	
Approved by Print Name:	Drawing: M 4236 SH 4.0	
Approved by Signature:	Date:	Date: 10-5-12 Revised: 4-4-17
Rep.:	Wholesaler:	Quote No.:

PRAXIS INDUSTRIES, LLC.
 435 INDUSTRIAL RD - SAVANNAH, TN 38372
 1 (800) 443-7269 - FAX (731) 925-4290