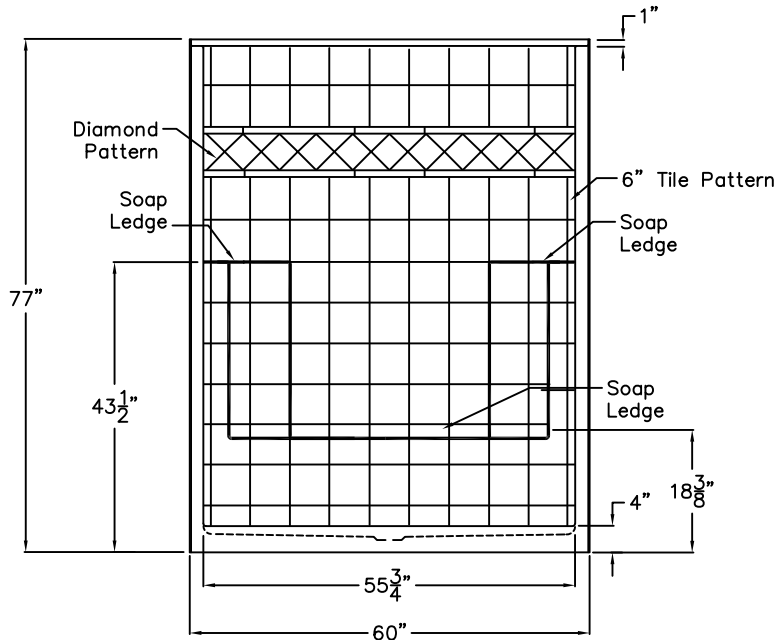


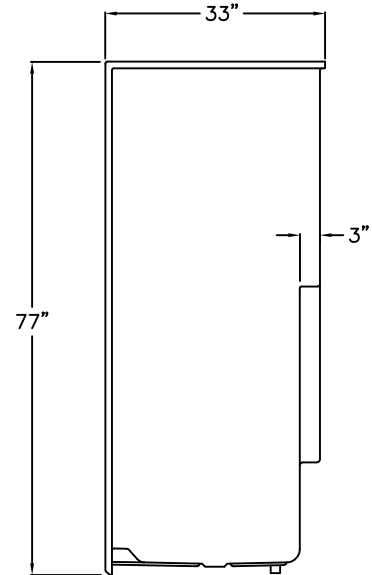
# Luxury Acrylic Series

## SUBMITTAL DATA

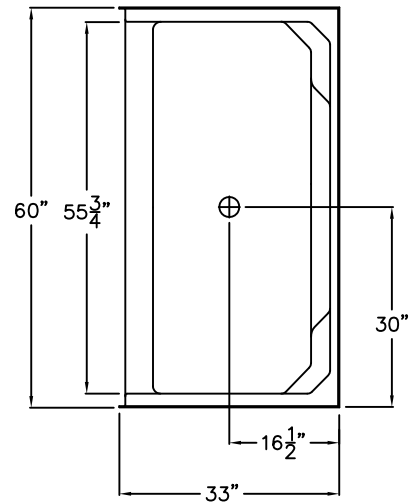
FRONT VIEW



SIDE VIEW



TOP VIEW



### Simulated Tile Shower

This shower enclosure shall be Model M 6033 SH TILE center drain. Finished surface shall be of sanitary-grade applied acrylic. The unit shall have outside dimensions of 60" x 33" x 77". The unit shall meet IAPMO Z124-2011, and CSA B45.5-11.

The enclosure shall be equipped with the following factory installed accessories:

- 1) Molded soap ledges,
- 2) Low molded ledge on the back wall,
- 3) Tile finish,
- 4) Diamond accent,
- 5) 4.0" threshold.

DUE TO THE NATURE OF THE MATERIALS  
 DIMENSIONS MAY VARY ± 1/2"

Job Name:	PRAXIS	
Approved By Print Name:	Drawing#: M 6033 SH NS Tile	
Approved By Signature:	Date:	Date: 8-18-16      Revised: 4-4-17
Rep.:	Wholesaler:	Quote No.:

PRAXIS INDUSTRIES, LLC.  
 ROUTE 1, BOX 46D - SAVANNAH, TN 38372  
 1 (800) 443-7269 - FAX (731) 925-4290