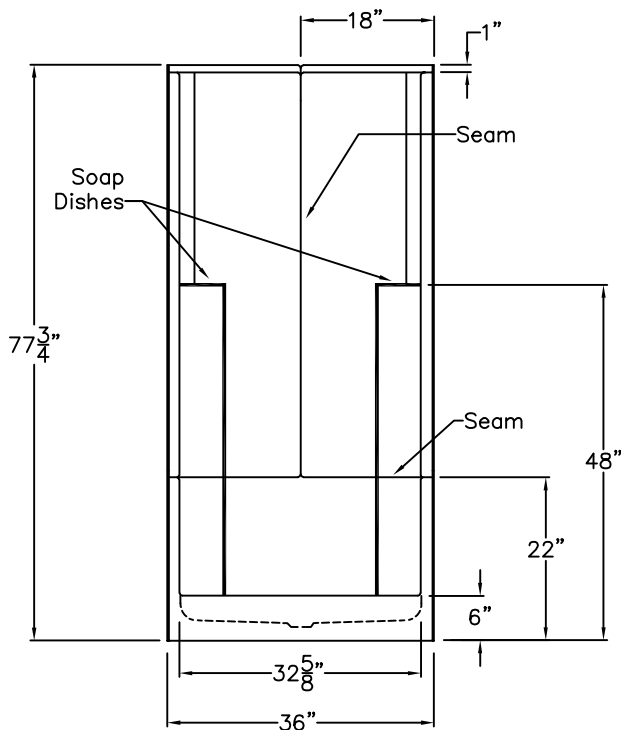


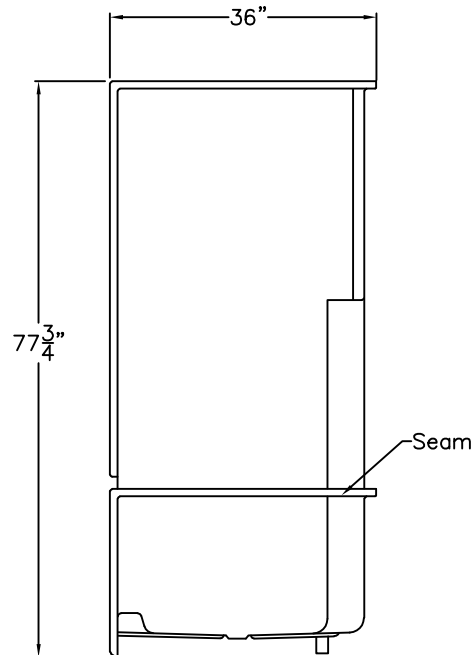
Solid Surface Series

SUBMITTAL DATA

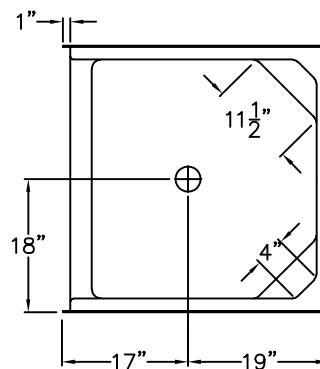
FRONT VIEW



SIDE VIEW



TOP VIEW



DUE TO THE NATURE OF THE MATERIALS
DIMENSIONS MAY VARY ± 1/2"

Sectional Shower

This shower enclosure shall be Model STN 3679 SH 3P center, right, or left. Finished surface shall be of sanitary-grade solid surface. The unit shall have outside dimensions of 36" x 36" x 77 3/4". The unit shall meet IAPMO Z124-2011, and CSA B45.5-11.

The enclosure shall be equipped with the following factory installed accessories:

- 1) Molded corner soap dishes,
- 2) 6.0" thresholds.

Job Name:	PRAXIS
Approved by Print Name:	Drawing#: STN 3679 SH 6.0 3P
Approved by Signature:	Date: 11-1-00 Revised: 4-7-17
Rep.:	Wholesaler: Quote No.:

PRAXIS INDUSTRIES, LLC.
435 INDUSTRIAL RD - SAVANNAH, TN 38372
1 (800) 443-7269 - FAX (731) 925-4290