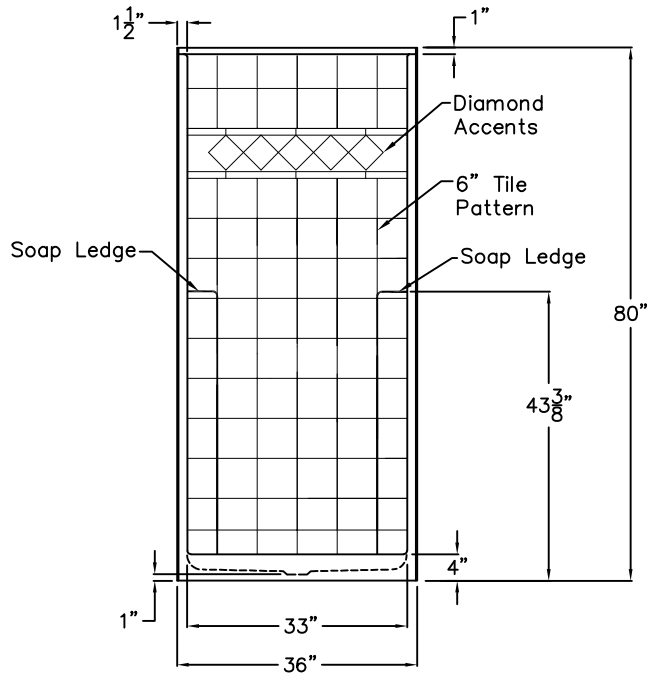


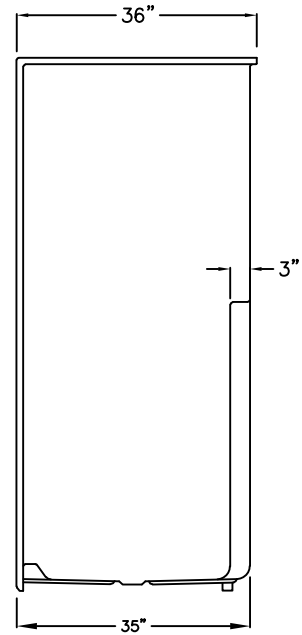
Solid Surface Series

SUBMITTAL DRAWING

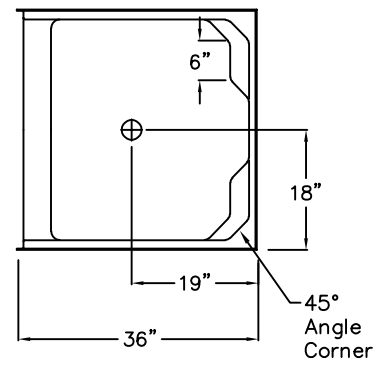
FRONT VIEW



SIDE VIEW



TOP VIEW



Simulated Tile Shower

This shower enclosure shall be Model STN 3678 SH Tile center drain. Finished surface shall be of sanitary-grade solid surface. The unit shall have outside dimensions of 36" x 36" x 80". The unit shall meet IAPMO Z124-2011, and CSA B45.5-11.

The enclosure shall be equipped with the following factory installed accessories:

- 1) Molded soap ledges,
- 2) Center drain location,
- 3) Tile finish,
- 4) Diamond accent,
- 5) 4.0" threshold.

DUE TO THE NATURE OF THE MATERIALS
DIMENSIONS MAY VARY ± 1/2"

| | | |
|-------------------------|----------------------------|-------------------------------|
| Job Name: | PRAXIS | |
| Approved by Print Name: | Drawing#: STN 3678 SH Tile | |
| Approved by Signature: | Date: | Date: 1-10-03 Revised: 4-7-17 |
| Rep.: | Wholesaler: | Quote No.: |

PRAXIS INDUSTRIES, LLC.
ROUTE 1, BOX 46D - SAVANNAH, TN 38372
1 (800) 443-7269 - FAX (731) 925-4290