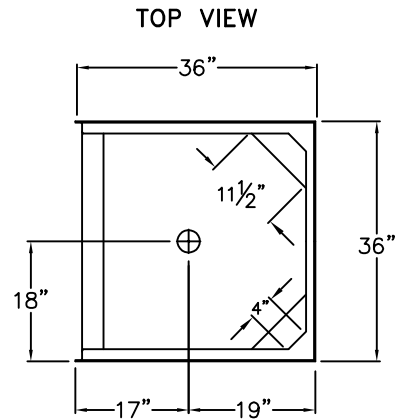
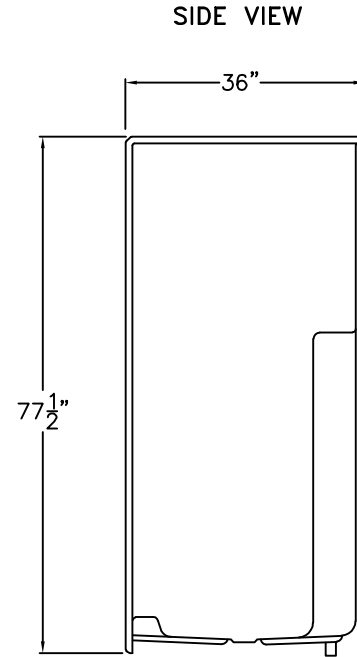
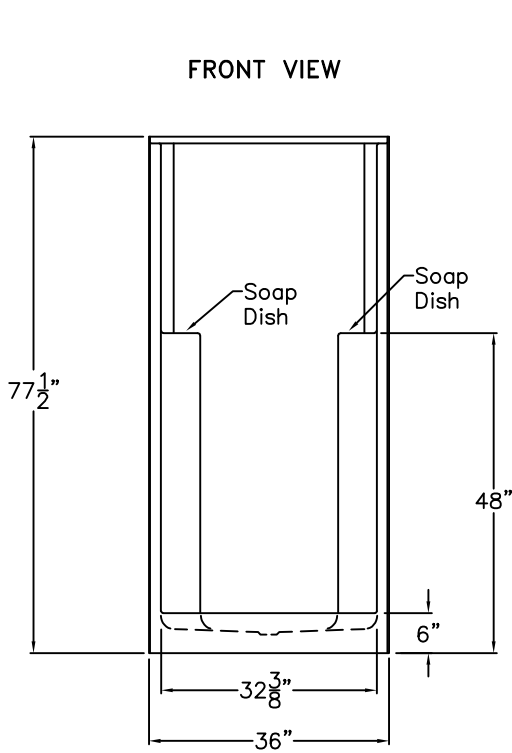


Solid Surface Series

SUBMITTAL DATA



Smooth Wall Shower

This shower enclosure shall be Model STN 3697 SH center, right, or left. Finished surface shall be of sanitary-grade solid surface. The unit shall have outside dimensions of 36" x 36" x 77 1/2". The unit shall meet IAPMO Z124-2011, and CSA B45.5-11.

The enclosure shall be equipped with the following factory installed accessories:

- 1) Molded corner soap dishes,
- 2) 6.0" threshold.

DUE TO THE NATURE OF THE MATERIALS
DIMENSIONS MAY VARY ± 1/2"

Job Name:	PRAXIS
Approved By Print Name:	Drawing#: STN 3679 SH 6.0
Approved By Signature:	Date: 11-1-00 Revised: 4-7-17
Rep.:	Quote No.:

PRAXIS INDUSTRIES, LLC.
ROUTE 1, BOX 46D - SAVANNAH, TN 38372
1 (800) 443-7269 - FAX (731) 925-4290