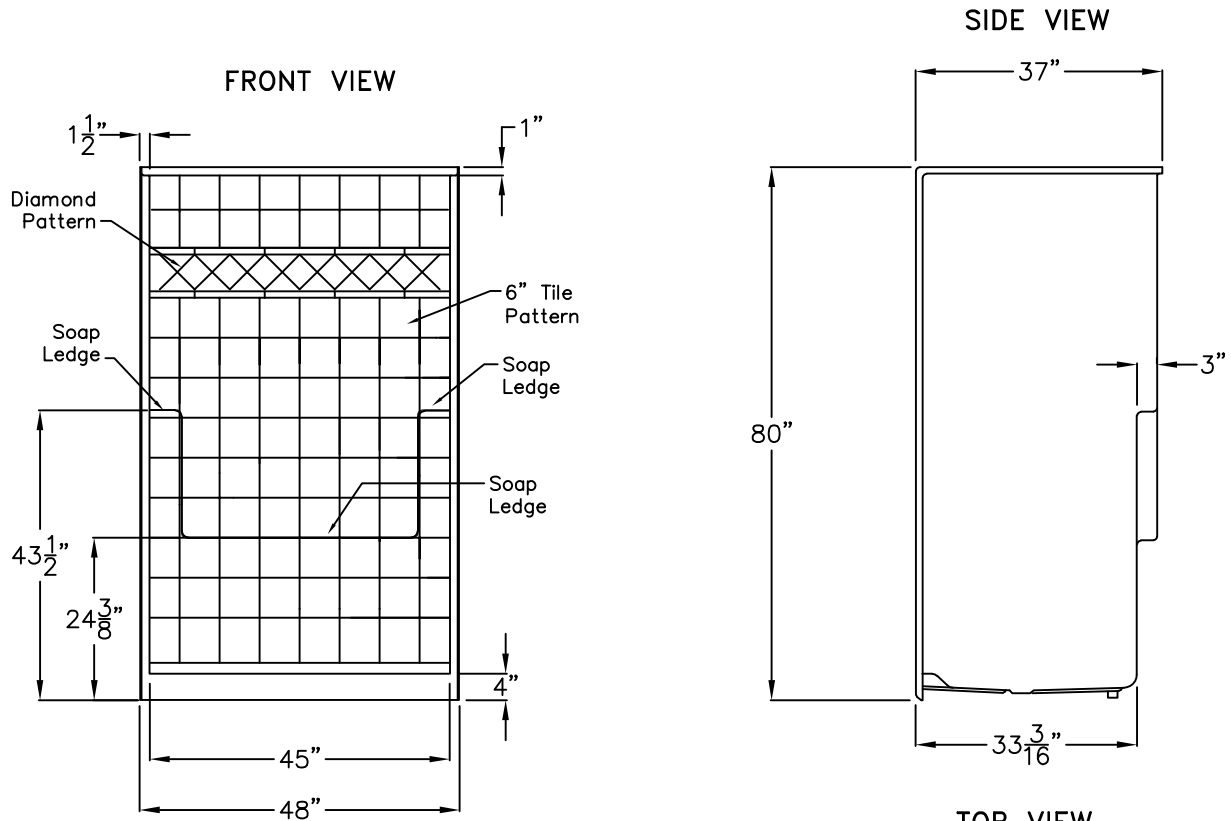


# Solid Surface Series

## SUBMITTAL DATA



**Simulated Tile Shower**

This shower enclosure shall be Model STN 4836 TS Tile center drain. Finished surface shall be of sanitary-grade solid surface. The unit shall have outside dimensions of 48" x 37" x 80". The unit shall meet IAPMO Z124-2011, and CSA B45.5-11.

The enclosure shall be equipped with the following factory installed accessories:

- 1) Molded soap ledges,
- 2) Lower molded ledge on the back wall,
- 3) Tile finish,
- 4) Diamond accents,
- 5) 4.0" threshold.

DUE TO THE NATURE OF THE MATERIALS DIMENSIONS MAY VARY ± 1/2"

Job Name:	<b>PRAXIS</b>
Approved By Print Name:	Drawing#: STN 4836 SH NS Tile
Approved By Signature:	Date: 6-18-01      Revised: 4-7-17
Rep.:	Quote No.:

PRAXIS INDUSTRIES, LLC.  
 435 INDUSTRIAL RD - SAVANNAH, TN 38372  
 1 (800) 443-7269 - FAX (731) 925-4290