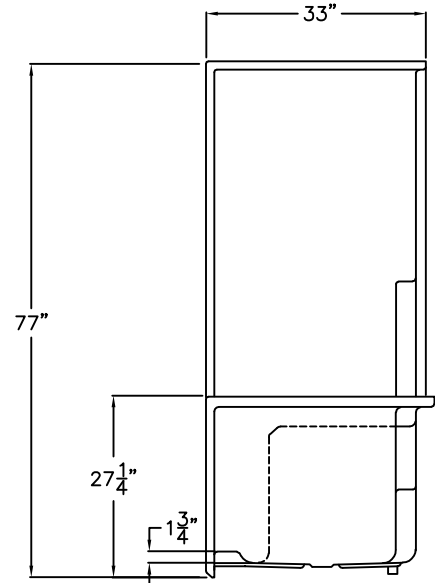
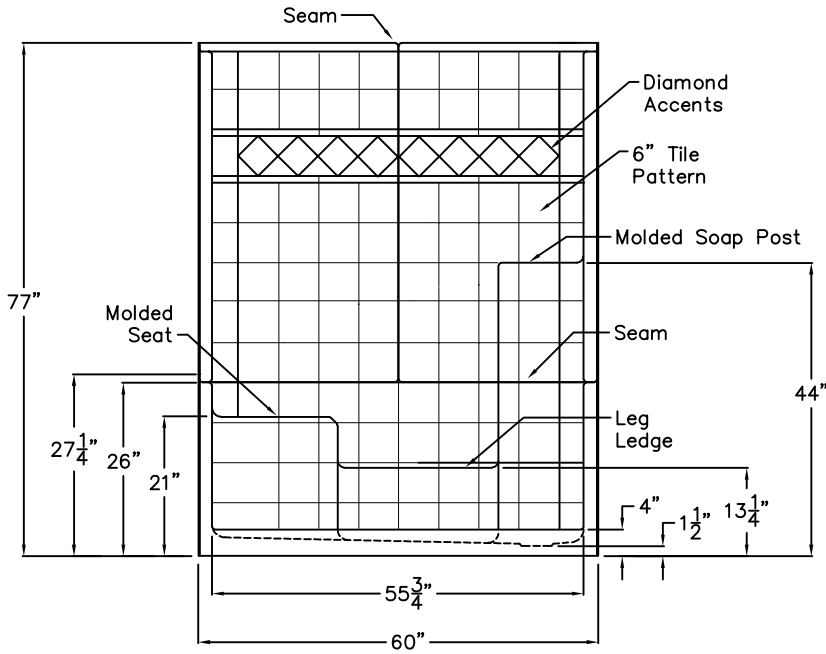


Solid Surface Series

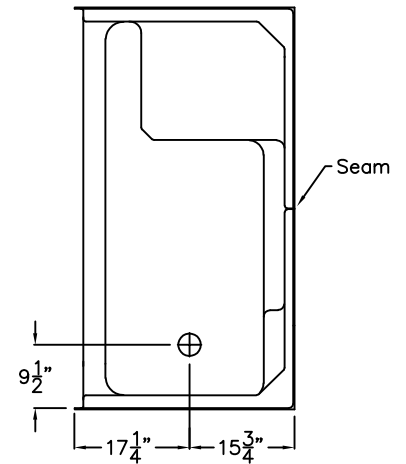
SUBMITTAL DATA

FRONT VIEW

SIDE VIEW



TOP VIEW



Sectional Simulated Tile Shower

This shower enclosure shall be Model STN 6032 SH 1S 3P TILE right or left. Finished surface shall be of sanitary-grade solid surface. The unit shall have outside dimensions of 60" x 33" x 77". The unit shall meet IAPMO Z124-2011, and CSA B45.5-11.

The enclosure shall be equipped with the following factory installed accessories:

- 1) Molded soap ledge,
- 2) Molded seat right or left,
- 3) Molded leg ledge,
- 4) Tile finish,
- 5) Diamond accents,
- 6) Three piece sectional design,
- 7) 4.0" threshold.

DUE TO THE NATURE OF THE MATERIALS
DIMENSIONS MAY VARY ± 1/2"

Job Name:	PRAXIS
Approved by Print Name:	Drawing#: STN 6032 SH 1S 3P Tile
Approved by Signature:	Date: 8-22-08 Revised: 4-7-17
Rep.:	Quote No.:

PRAXIS INDUSTRIES, LLC.
435 INDUSTRIAL RD - SAVANNAH, TN 38372
1 (800) 443-7269 - FAX (731) 925-4290