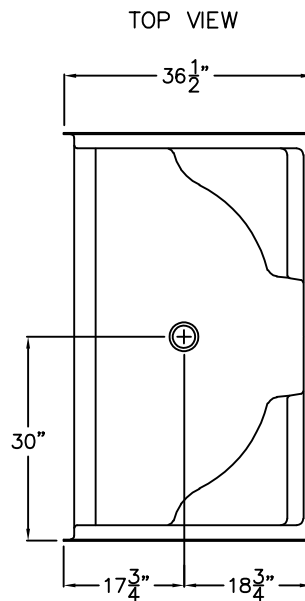
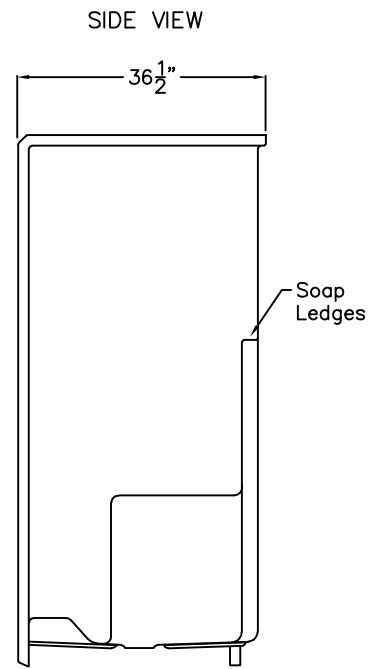
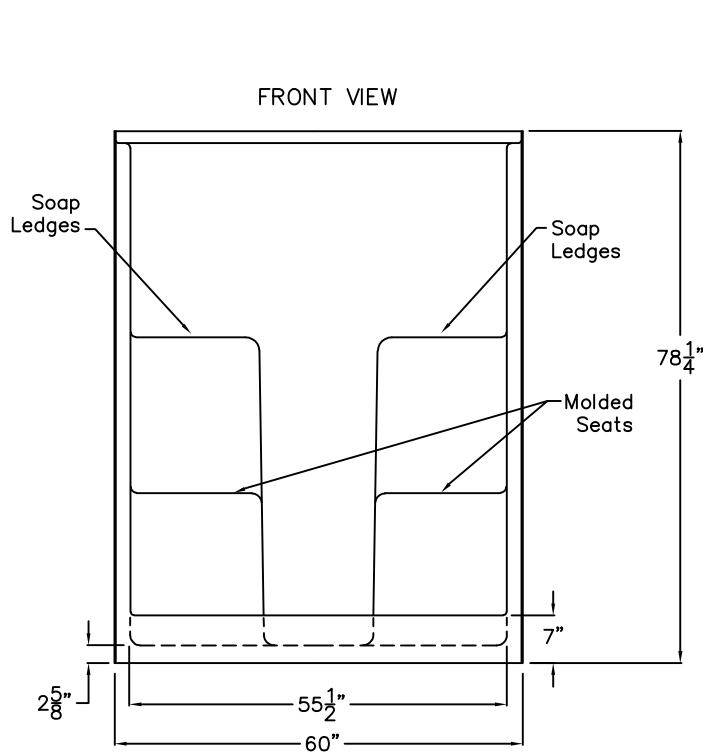


# Solid Surface Series

## SUBMITTAL DATA



### Smooth Wall Shower

This shower enclosure shall be Model STN 6077 SH 2S center drain location. Finished surface shall be of sanitary-grade solid surface. The unit shall have outside dimensions of 60" x 36 1/2" x 78 1/4". The unit shall meet IAPMO Z124-2011, and CSA B45.5-11.

The enclosure shall be equipped with the following factory installed accessories:

- 1) Molded corner soap ledges,
- 2) Two molded seats,
- 3) 7.0" threshold.

DUE TO THE NATURE OF THE MATERIALS  
DIMENSIONS MAY VARY ± 1/2"

<b>Job Name:</b>	<b>PRAXIS</b>
<b>Approved by Print Name:</b>	<b>Drawing#:</b> STN 6077 SH 2S
<b>Approved by Signature:</b>	<b>Date:</b> 6-7-07 <b>Revised:</b> 4-7-17
<b>Rep.:</b>	<b>Wholesaler:</b> <b>Quote No.:</b>

PRAXIS INDUSTRIES, LLC.  
435 INDUSTRIAL ROAD, SAVANNAH, TN 38372  
1 (800) 326-5489 - FAX (888) 246-0466