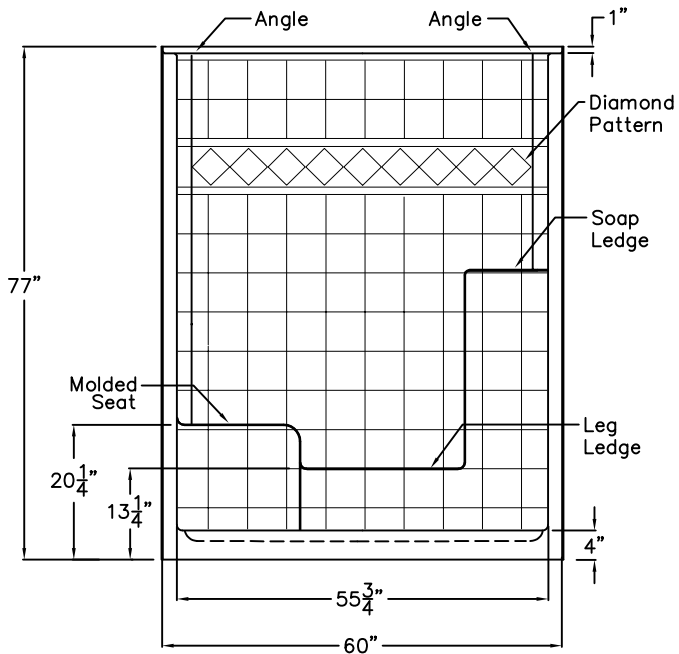


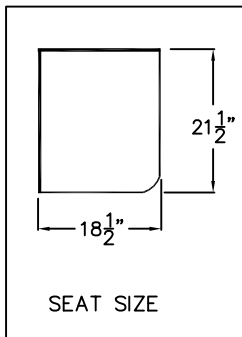
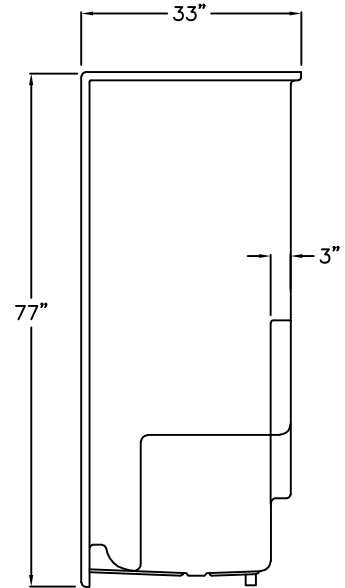
Solid Surface Series

SUBMITTAL DRAWING

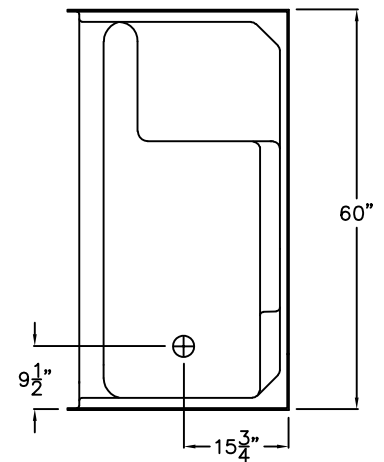
FRONT VIEW



SIDE VIEW



TOP VIEW



Simulated Tile Shower

This shower enclosure shall be Model STN 6032 SH 1S Tile right or left. Finished surface shall be of sanitary-grade solid surface. The unit shall have outside dimensions of 60" x 33" x 77". The unit shall meet IAPMO Z124-2011, and CSA B45.5-11.

The enclosure shall be equipped with the following factory installed accessories:

- 1) Molded soap ledge,
- 2) Molded seat left or right,
- 3) Molded leg ledge,
- 4) Tile pattern,
- 5) Diamond accents,
- 6) 4.0" threshold.

DUE TO THE NATURE OF THE MATERIALS
DIMENSIONS MAY VARY ± 1/2"

Job Name:	PRAXIS		
Approved by Print Name:	Drawing#: STN 6032 SH 1S Tile		
Approved by Signature:	Date:	Date: 5-18-07	Revised: 4-7-17
Rep.:	Wholesaler:	Quote No.:	

PRAXIS INDUSTRIES, LLC.
435 INDUSTRIAL RD - SAVANNAH, TN 38372
1 (800) 443-7269 - FAX (731) 925-4290